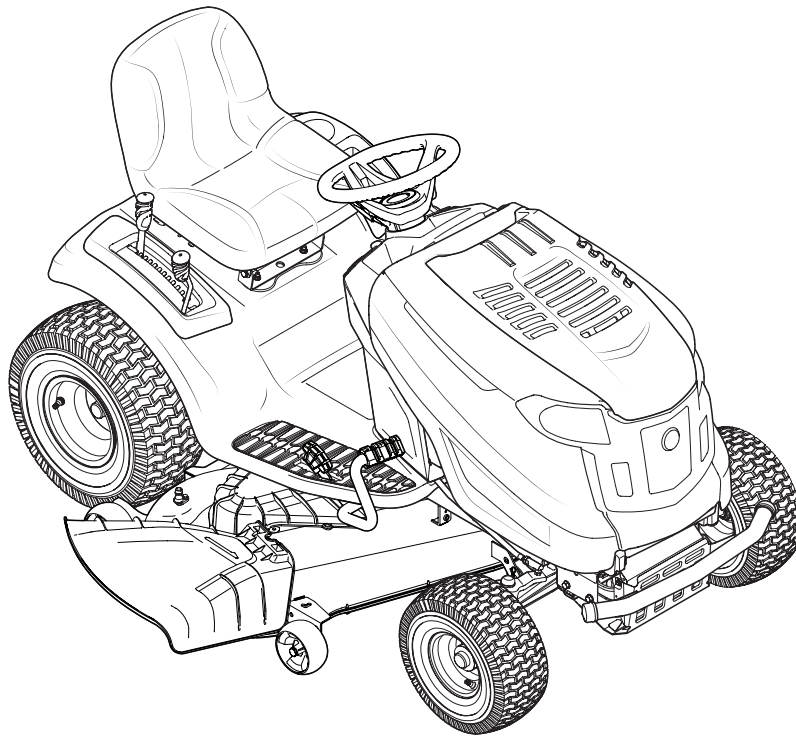




ILLUSTRATED PARTS MANUAL



Hydrostatic Lawn Tractor — TB 1942/2246/2350/2454 Hydro

TROY-BILT LLC, P.O. BOX 361131 CLEVELAND, OHIO 44136-0019

To The Owner

Thank You

Thank you for purchasing an MTD Lawn Tractor. It was carefully engineered to provide excellent performance when properly operated and maintained.

All information in this manual is relative to the most recent product information available at the time of printing. Please be aware that this Illustrated Part's Manual may cover a range of product specifications for various models.

Components listed and/or illustrated in this manual may not be applicable to all models. We reserve the right to change product specifications, designs and equipment without notice and without incurring obligation.

Throughout this manual, all references to *right* (RH) and *left* (LH) are observed from the operating position.

Table of Contents

<u>Front and Rear Wheels</u>	<u>3</u>	<u>Electrical</u>	<u>20</u>
<u>Manual PTO</u>	<u>4</u>	<u>Drive System (42"/46"/50")</u>	<u>22</u>
<u>Electric PTO</u>	<u>5</u>	<u>Drive System (54")</u>	<u>24</u>
<u>Steering</u>	<u>6</u>	<u>42-inch Deck</u>	<u>26</u>
<u>Frame</u>	<u>8</u>	<u>46-inch Deck</u>	<u>28</u>
<u>Seat</u>	<u>10</u>	<u>50-inch Deck</u>	<u>30</u>
<u>Front Axle</u>	<u>11</u>	<u>54-inch Deck</u>	<u>32</u>
<u>Deck Lift</u>	<u>12</u>	<u>Engine Accessories (Single)</u>	<u>34</u>
<u>Pedals</u>	<u>13</u>	<u>Engine Accessories (Twin)</u>	<u>35</u>
<u>Fender</u>	<u>14</u>	<u>Electrical Schematic (Man. PTO)</u>	<u>36</u>
<u>Hood</u>	<u>16</u>	<u>Electrical Schematic (Elec. PTO)</u>	<u>37</u>
<u>Fuel Tank and Dash</u>	<u>18</u>		

Record Product Information

To ease in ordering replacement parts, please locate the model plate on the equipment and record the information in the provided area to the right. You can locate the model plate by looking beneath the seat.

MODEL NUMBER

--	--	--	--	--	--	--	--	--	--	--	--

SERIAL NUMBER

--	--	--	--	--	--	--	--	--	--	--	--

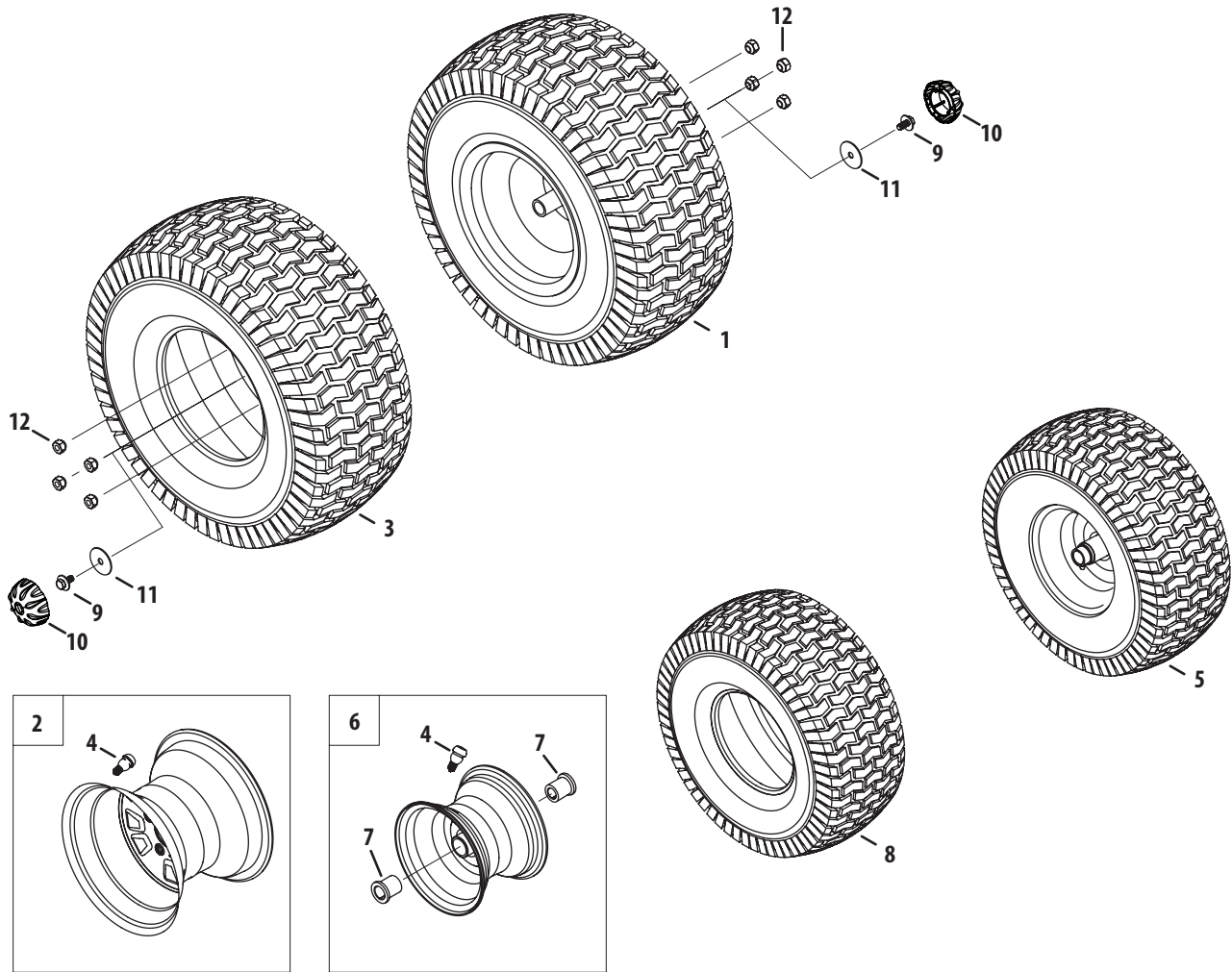
Painted Parts

When ordering painted service parts, a four digit color suffix must be added to the part number (e.g. 783-XXXX-0637). Please refer to the table below for current color codes:

0637	Black
0709	Dark Green (Bolens, Yard-Man)
0662	Oyster Gray (MTD Gold)
0638	Red (Yard Machines, Huskee, Troy-Bilt, MTD)
0691	Black Jack (MTD Gold, MasterCut)

0674	Yellow (Yard-Man)
0650	Metallic Red (White Outdoor)
0629	Silver Flake (MTD Platinum)
04038	Day Orange (Daedong)
04033	Flint Mica (Troy-Bilt XP)

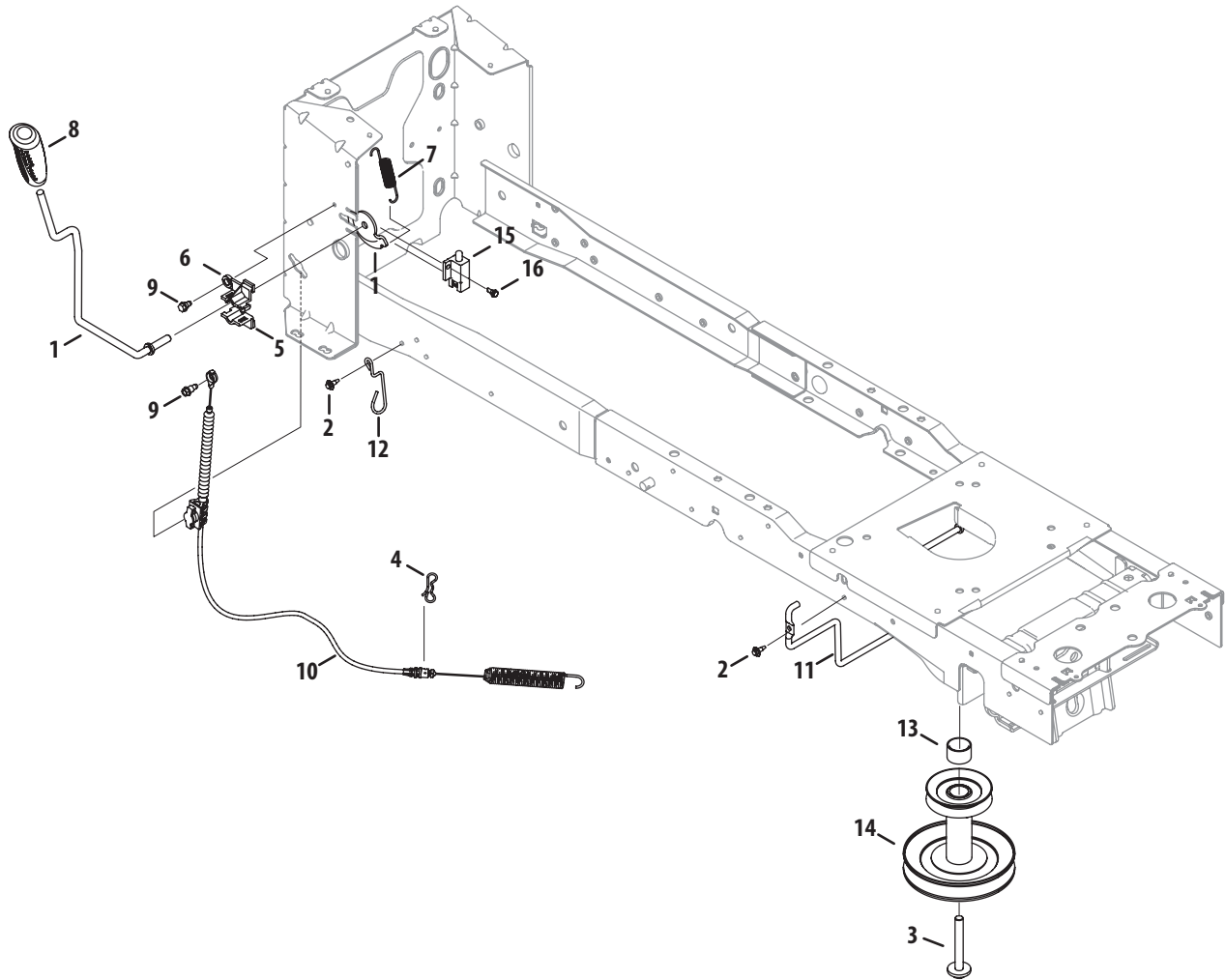
Front and Rear Wheels



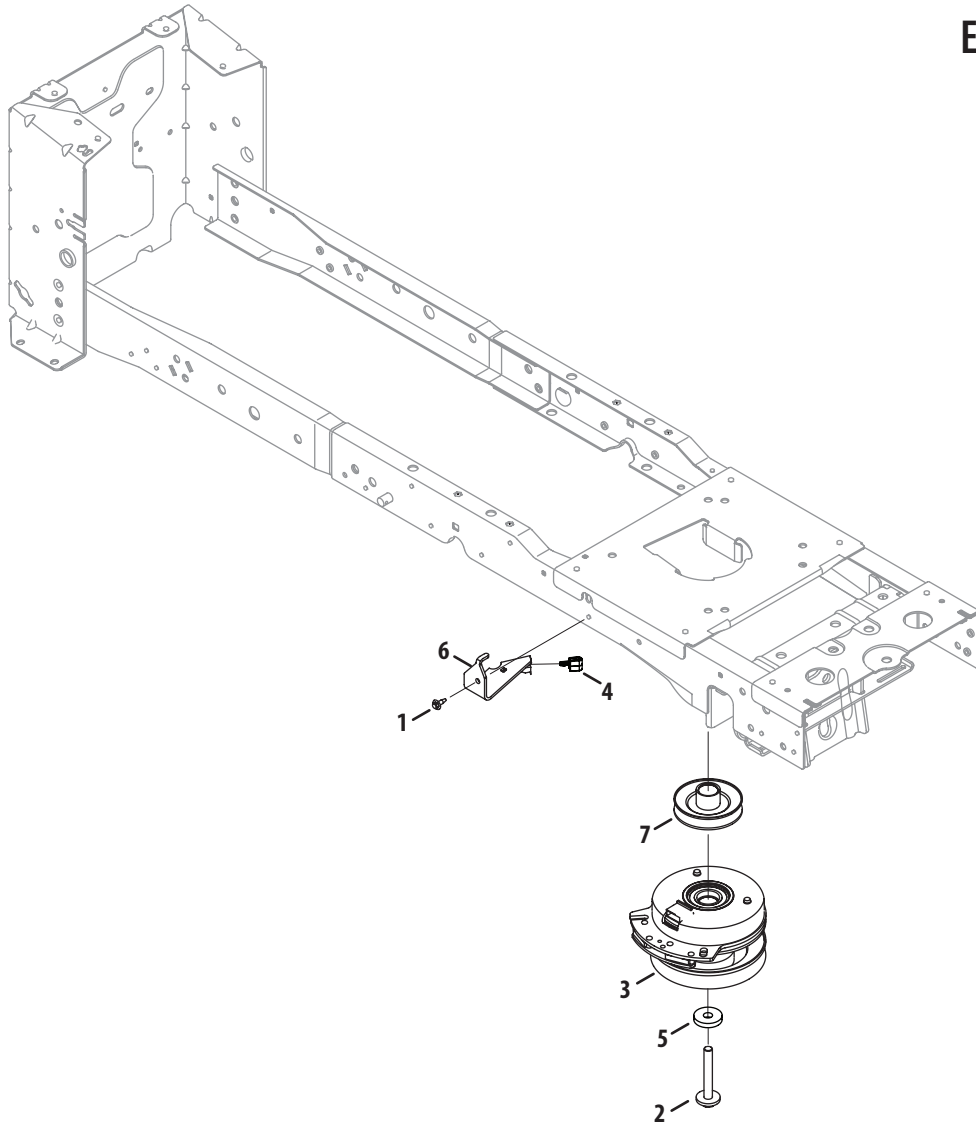
Ref.	Part Number	Description
1.	634-0104-0911	Wheel, Complete, 20 x 8 x 8 (46")
—	634-05107-0916	Wheel, Complete, 22 x 9.5 x 12 (54")
2.	634-04369-0662	Rim Ass'y, 8.0 x 7.0 x .750 ID (46")
—	634-04238-0662	Rim Ass'y, 12.0 x 7.0 (54")
3.	734-1730-0901	Tire, 20 x 8 x 8 Sq Shoulder (46")
—	734-05065-0906	Tire, 22 x 9.5 x 12 Sq Shoulder (54")
4.	934-0255	Valve, Tubeless Air
5.	634-05149-0911	Wheel, Complete, 15 x 6 x 6 (46")
—	634-05082-0916	Wheel, Complete, 16 x 6.5 x 8 (54")

Ref.	Part Number	Description
6.	634-05081-0662	Rim Ass'y, 6.0 x 4.5, Flnge Bearings
—	634-05083-0662	Rim Ass'y, 8.0 x 5.38, (54")
7.	741-05094	Bearing, Flange, .760 ID
8.	734-1731-0901	Tire, 15 x 6 x 6 Sq Shoulder (46")
—	734-04641	Tire, 16 x 6.5 x 8 Sq Shoulder (54")
9.	710-06154B	Screw, 5/16-24 x .850
10.	731-2290A	Hub Cap
11.	736-0430	Flat Washer, .350 x 1.59 x .062
12.	712-3050	Lug Nut 7/16-14 (54")

Manual PTO

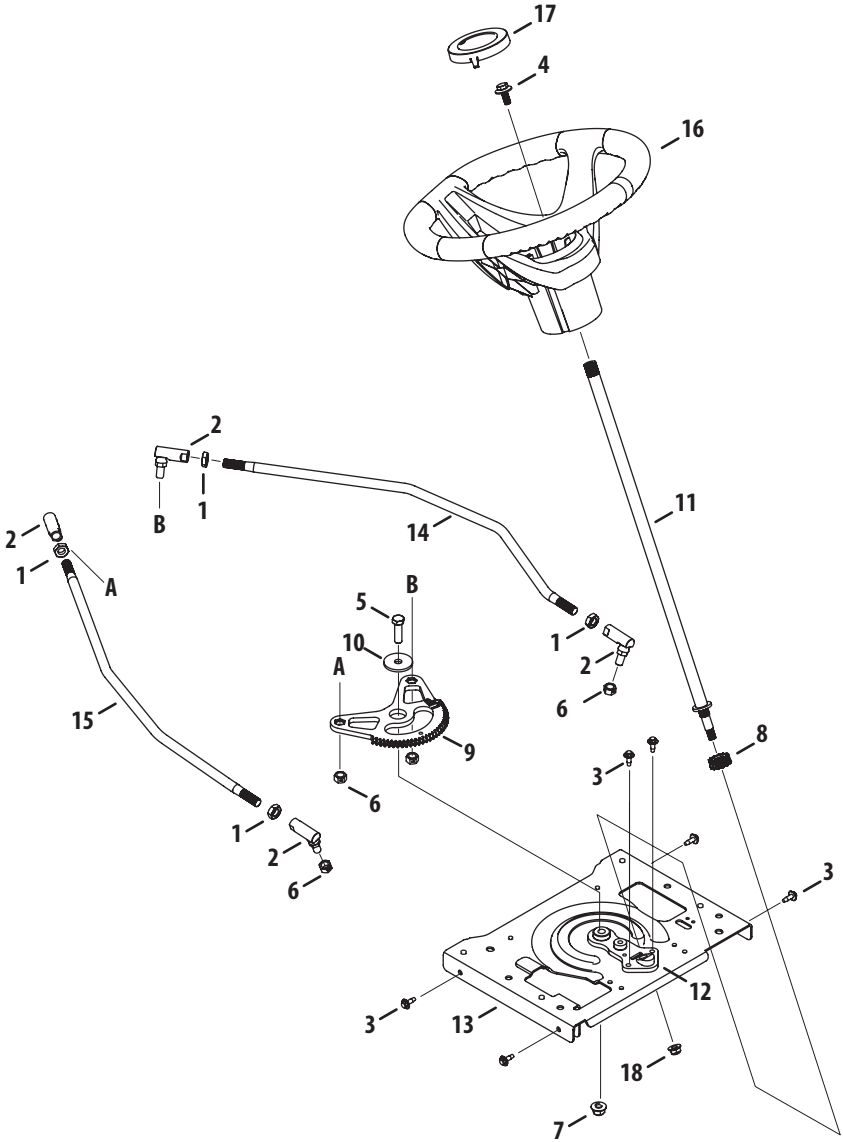


Ref.	Part Number	Description
1.	983-05105A	PTO Handle Assembly
2.	710-06133	Screw, M6-1 x .625
3.	710-06266	Hex Cap Screw, 7/16-20 x 3.50
4.	714-05005	Bow-Tie Cotter Pin
5.	731-10066A	PTO Handle Mount, RH
6.	731-10067A	PTO Handle Mount, Top
7.	732-05119	Extension Spring, .56 OD x 4.52 LG
8.	720-05086	Grip
9.	738-04425	Shoulder Screw, .342 x .335, 1/4-28
10.	946-05087	PTO Cable
11.	747-06239A	Engine Pulley Keeper Rod
12.	747-06308	Cable Guide
13.	748-05078	Spacer, Engine Pulley
	748-05079	Spacer, Engine Pulley, Briggs
14.	956-04067A	Pulley, Engine, 3.56 x 6.12 Dia.
15.	725-04363	Switch, Interlock
16.	738-04237A	Shoulder Screw, #10-32 x .500



Ref.	Part Number	Description
1.	710-06133	Screw, M6-1 x .625
2.	710-06266	Hex Cap Screw, 7/16-20 x 3.50
3.	917-05209	Clutch, Electric PTO
4.	731-10576	Grommit
5.	736-05107	Flat Washer, .450 x 1.375 x .250
6.	783-08656	Clutch Bracket
7.	756-05061A	Engine Pulley
	756-05101	Engine Pulley, Briggs

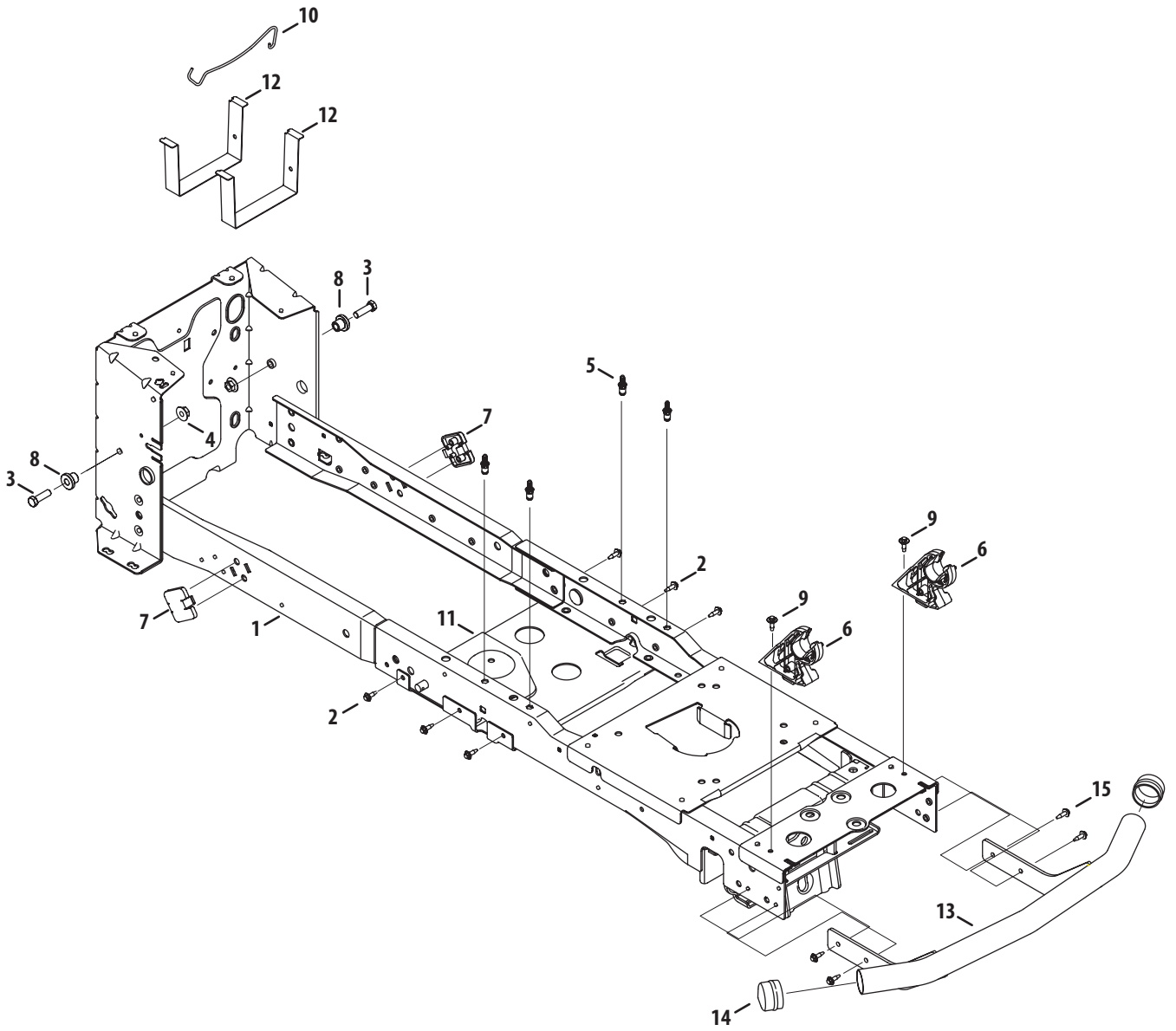
Steering



Steering

Ref.	Part Number	Description
1.	712-05093	Jam Nut, 7/16-20
2.	723-05009	Ball Joint, 7/16-20, Lock
3.	710-06133	Screw, M6-1 x .625
4.	710-06154B	Screw, 5/16-24 x .850
5.	710-3005	Hex Cap Screw, 3/8-16 x 1.25
6.	912-0214	Nut, Hex Lock, 3/8-24, Grb
7.	712-04065	Nut, Flange Lock, 3/8-16, Grf,
8.	717-05193A	Pinion Gear, 13T
9.	717-05225	Steering Gear
10.	736-04294	Flat Washer, .390 x 2.490 x .119
11.	738-05043	Shaft, Steering, .625 OD x 20
12.	748-05071	Steering Support
13.	783-08386	Steering Mounting Plate
14.	747-06456	Steering Rod, LH
15.	747-06457	Steering Rod, RH
16.	631-05102	Steering Wheel
17.	731-11014	Cap, Steering Wheel
18.	712-04063	Nut, Flange Lock, 5/16-18, Grf

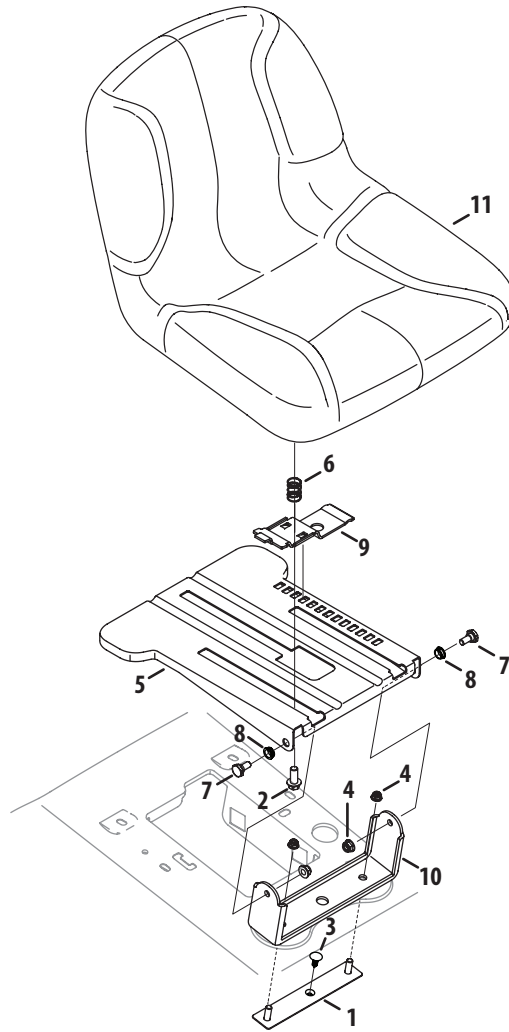
Frame



Ref.	Part Number	Description
1.	983-05067	Frame Assembly
2.	710-06133	Screw, M6-1 x .625
3.	710-3005	Hex Cap Screw, 3/8-16 x 1.25
4.	712-04217	Flange Lock Nut, 3/8-16
5.	728-05015	Rivet, 1/4-20 x .750
6.	731-10069A	Pivot Bracket
7.	731-10281A	Wear Pad
8.	738-04058	Shoulder Spacer, .38 x 1.0 x .70
9.	738-05090	Shoulder Screw, M6-1
10.	747-06329	Rod, Battery
11.	783-08276	Lower Frame Brace Bracket
12.	783-08567	Battery Bracket
13.	683-05155†	Bumper Assenbly
14.	731-05368†	Hub Cap
15.	710-06012A†	Hex Flange Screw, 3/8-16

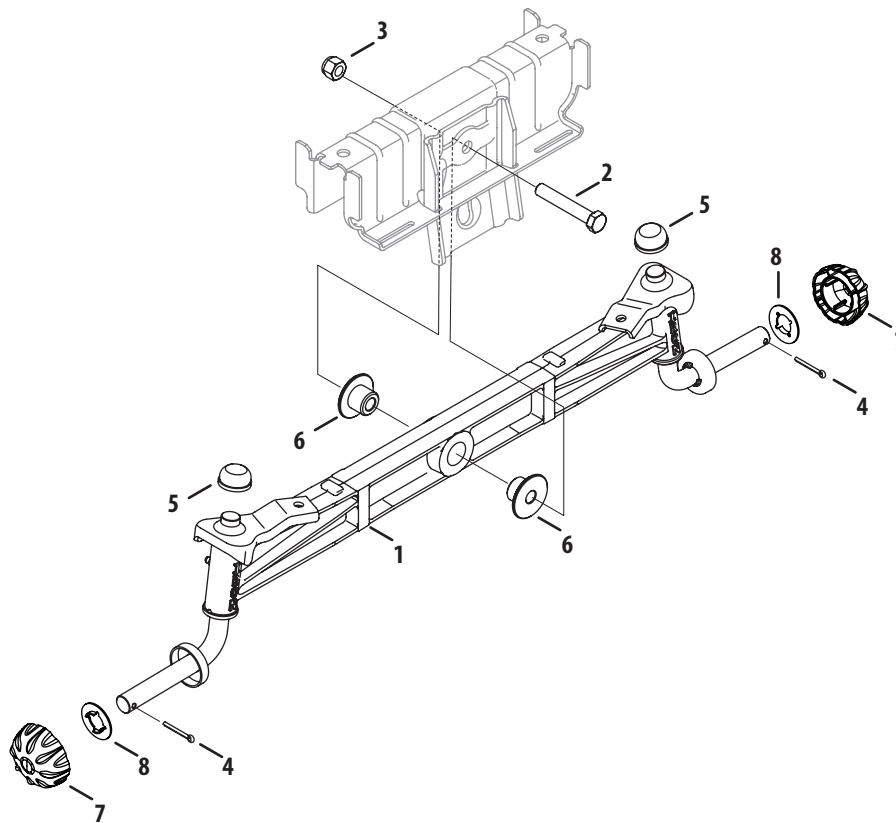
† If Equipped

Seat



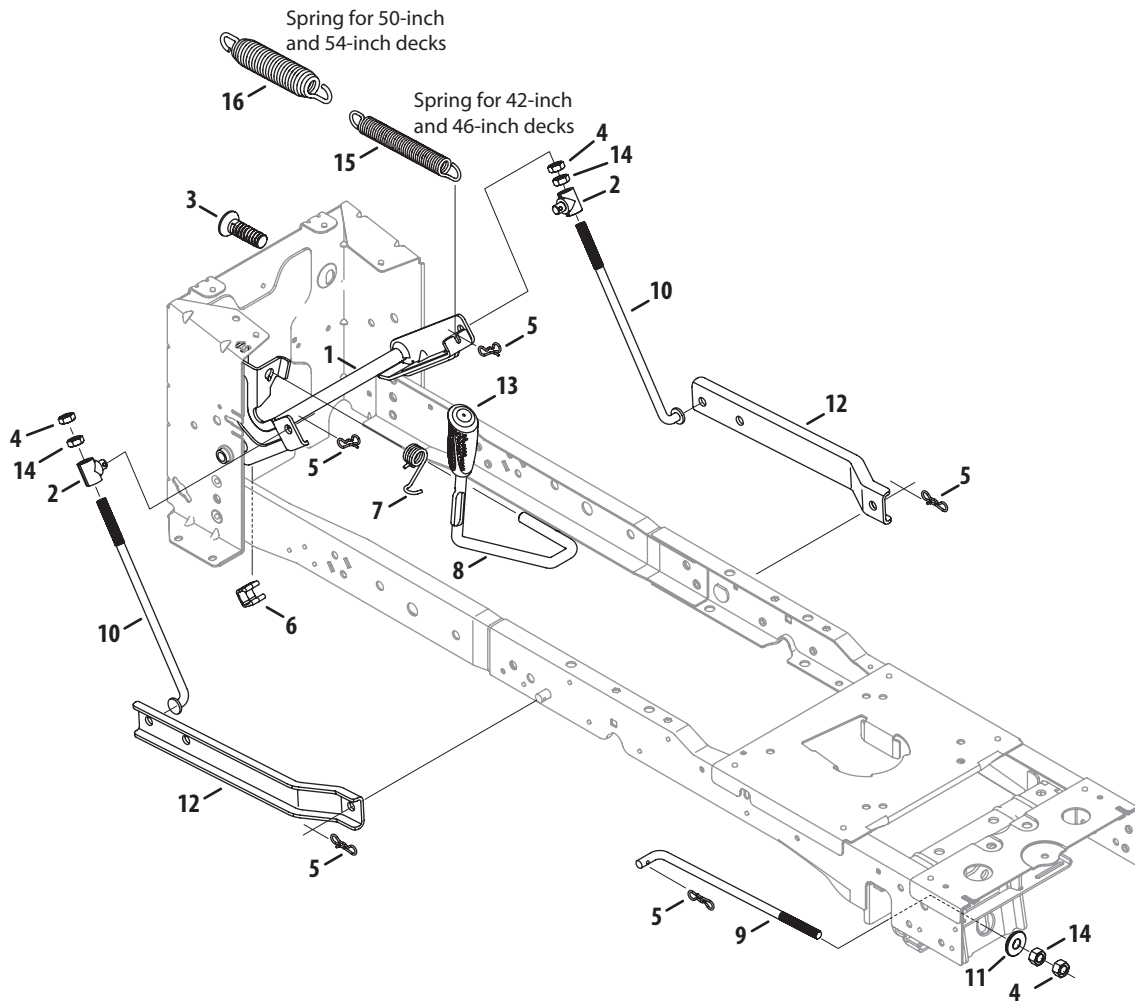
Ref.	Part Number	Description
1.	983-05111A	Seat Pivot Plate Assembly
2.	710-04482	Hex Flange Screw, 3/8/16, .875, Gr5
3.	726-3046	Ratchet Clip
4.	712-04063	Nut, Flange Lock, 5/16-18, Grf
5.	783-08452	Bracket, Mounting, Seat
6.	732-04563	Compression Spring, .68 x 1.065 x .055
7.	938-0140	Shoulder Screw, .435 x .178, 5/16 x .56
8.	741-05128	Flange Bearing, .4385 ID
9.	783-06050	Seat Lever
10.	783-08563	Pivot Bracket, Tall
11.	757-05044	Seat, High

Front Axle

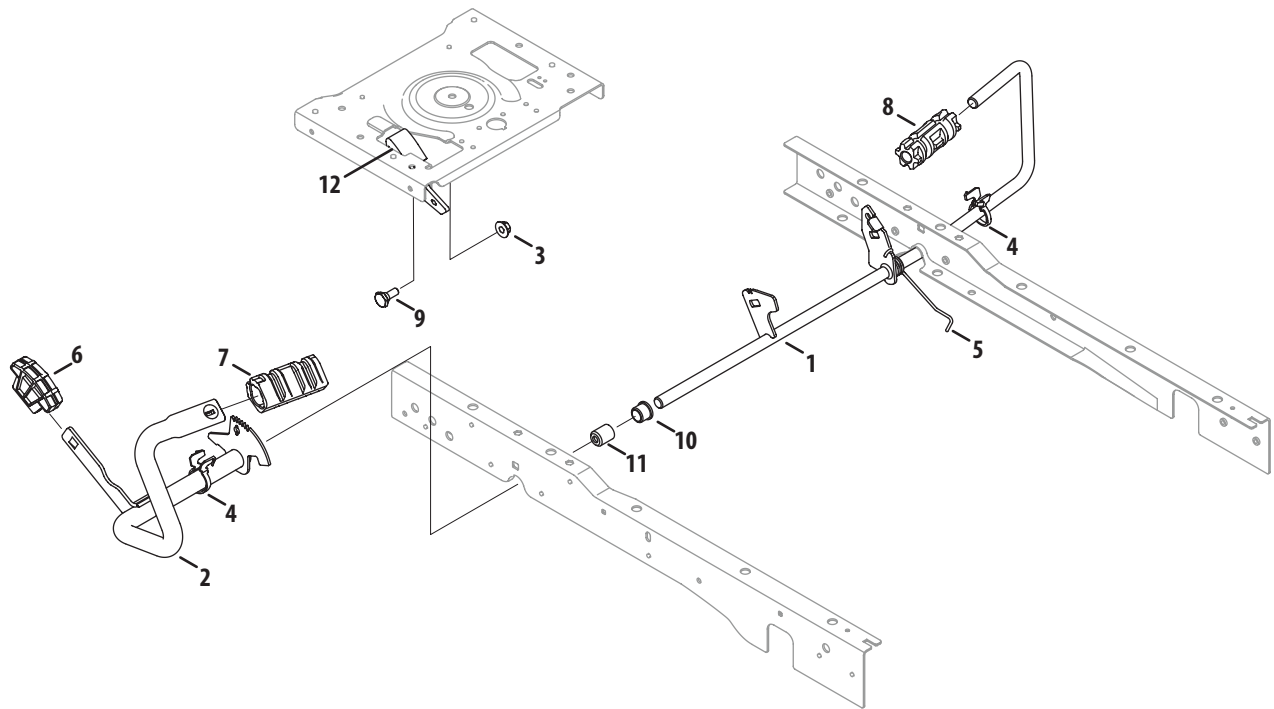


Ref.	Part Number	Description
1.	983-05145	Front Axle Assembly
2.	710-0182	Hex Cap Screw, 1/2-13 x 3.00
3.	712-3083	Nut, Hex Lock, 1/2-13
4.	714-0162	Pin, Cotter, 5/32, 1.25
5.	726-0341	Push Cap, 3/4
6.	738-05056	Shoulder Spacer, 1.00 x .515 x .760
7.	731-2290A	Hub Cap
8.	736-04228A	Washer, Flat, .350 x 1.559 x .062

Deck Lift

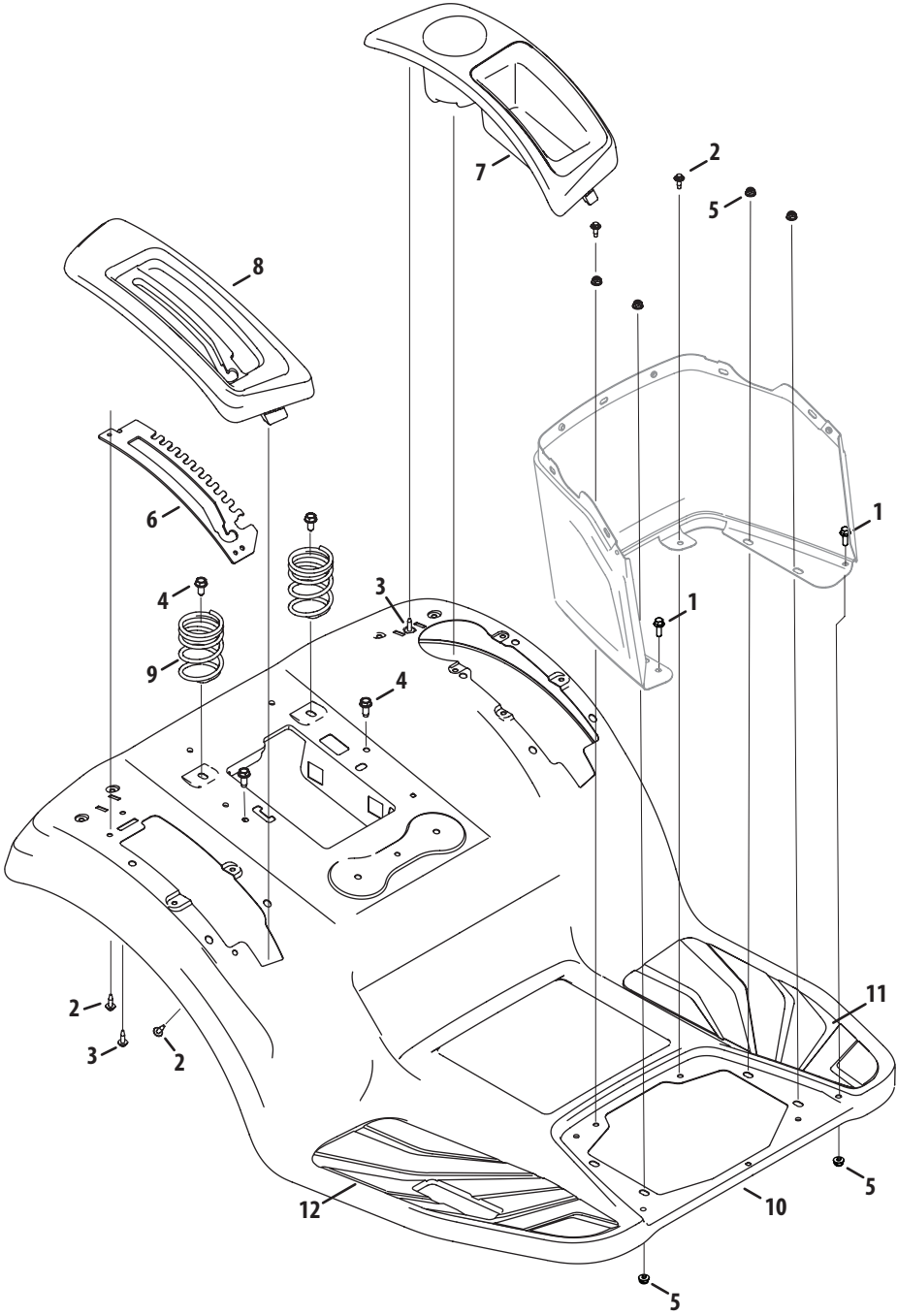


Ref.	Part Number	Description
1.	983-05077	Shaft Assembly, Lift
2.	711-06143A	Ferrule, .510 x .496
3.	711-06346	Spring Insert
4.	912-3048	Nut, Jam, 1/2-13
5.	714-05005	Bow-Tie Cotter Pin
6.	731-09629A	Spacer, .76 ID x .93 LG
7.	732-05086A	Torsion Spring
8.	747-06186A	Deck Lift Handle
9.	747-06247B	Deck Lift Rod
10.	747-06392	Lift Adjustment Link
11.	748-04069	Pivot Cup
12.	783-08280	Rear Lift Arm
13.	720-05087	Grip
14.	712-05046	Hex Lock Nut, 1/2-13
15.	732-05241	Lift Assist Spring, (46")
16.	732-05242	Lift Assist Spring, (54")



Ref.	Part Number	Description
1.	947-05033	Brake Pedal Assembly
2.	949-05026	FWD/REV Pedal Assembly
3.	712-04217	Flange Lock Nut, 3/8-16
4.	731-09957A	Clip
5.	732-05155	Torsion Spring, .725 ID
6.	735-05028	Reverse Pedal Pad
7.	735-05030	Forward Pedal Pad
8.	735-05051	Brake Pedal Pad
9.	938-0380	Shoulder Screw, .50 x .27, 3/8-16
10.	741-05074A	Flange Bearing, .63 x .84 x .71
11.	741-05085A	Plastic Sleeve Bearing
12.	748-04203	Cruise Latch

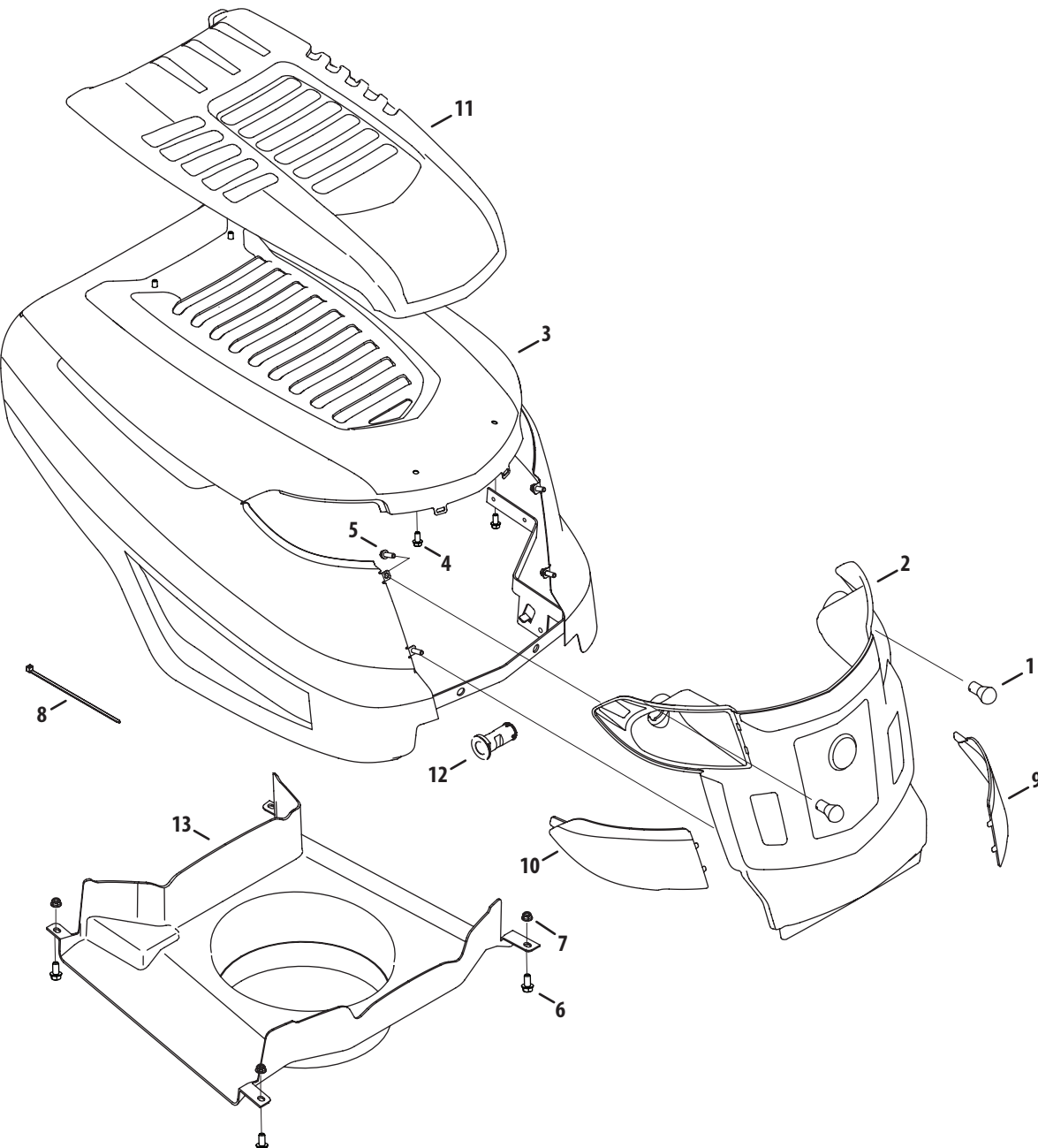
Fender



Fender

Ref.	Part Number	Description
1.	710-04666	Hex flange Screw, 1/4-20 x .75
2.	710-06133	Screw, M6-1 x .625
3.	710-06147	Screw, 1/4-10 x .75
4.	710-1260A	Screw, Self-tapping, 5/16-18, 0.750,
5.	712-04064	Nut, Flange Lock, 1/4-20, Nylon
6.	783-08559	Lift Index Bracket
7.	731-10172	Cover, LH
8.	631-05261	Cover, RH, Manual PTO
—	631-05259	Cover, RH, Electric PTO
9.	732-05182	Compression Spring, 2.50 x 3.951 x .207
10.	783-08279	Fender
11.	731-09731	Pad, Foot, LH
12.	731-09812	Pad, Foot, RH

Hood

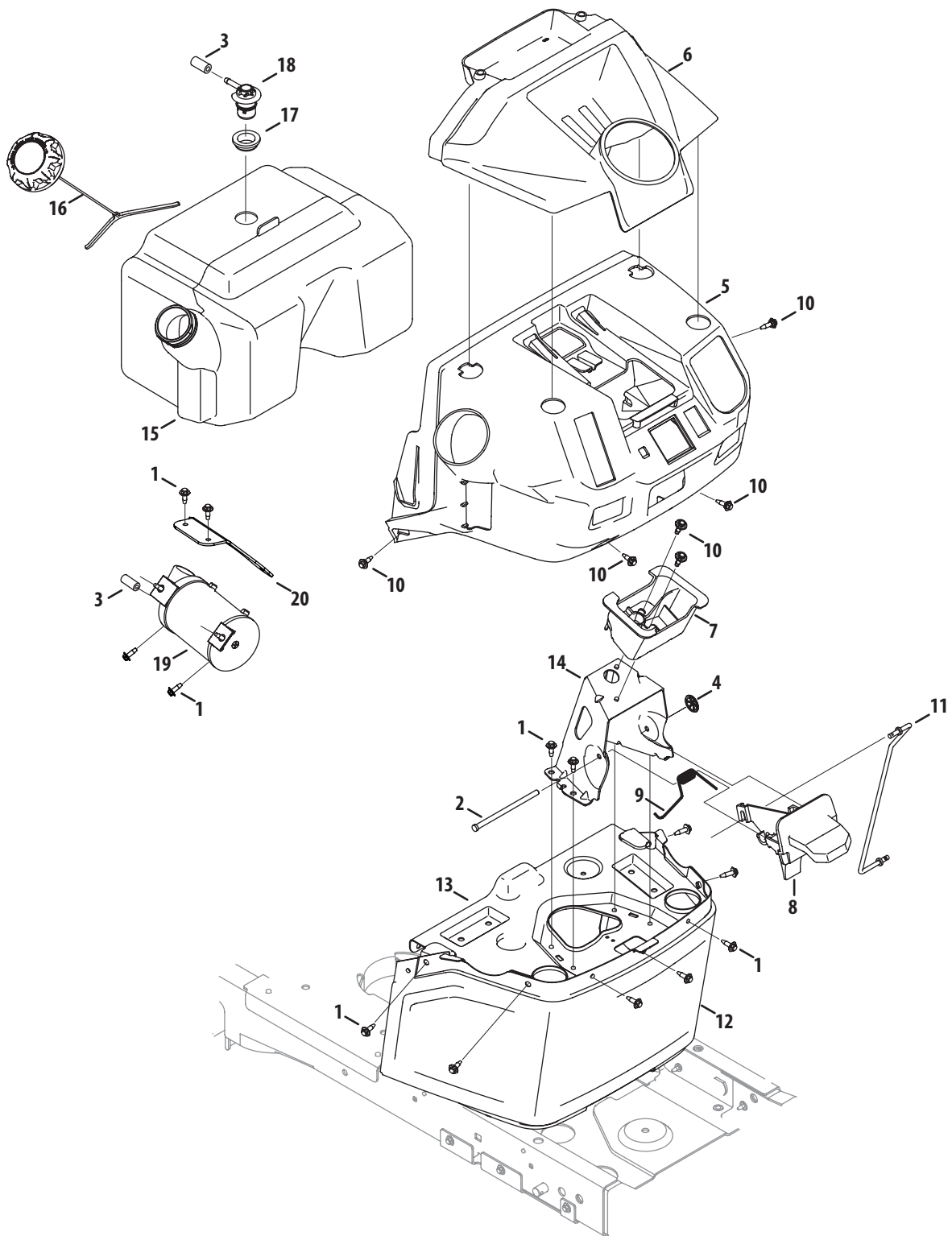


Hood

Ref.	Part Number	Description
1.	925-0963	Miniature lamp 12V socket
2.	631-04272	Grill
3.	683-05172	Hood Assembly
	683-05178	Hood Assembly, No Scoop
4.	710-04187†	Screw, 1/4-15 x 0.50
5.	710-06147	Screw, 1/4 x .750
6.	710-0751	Hex Cap Screw, 1/4-20 x .62
7.	712-04064	Nut, Flange Lock, 1/4-20, Nylon
8.	725-0157	Cable Tie
9.	731-06095	Grill Lens - LH
10.	731-06096	Grill Lens - RH
11.	731-06194B†	Hood Scoop
12.	731-10070A	Hood Pin
13.	931-10635	Plenum

† If Equipped

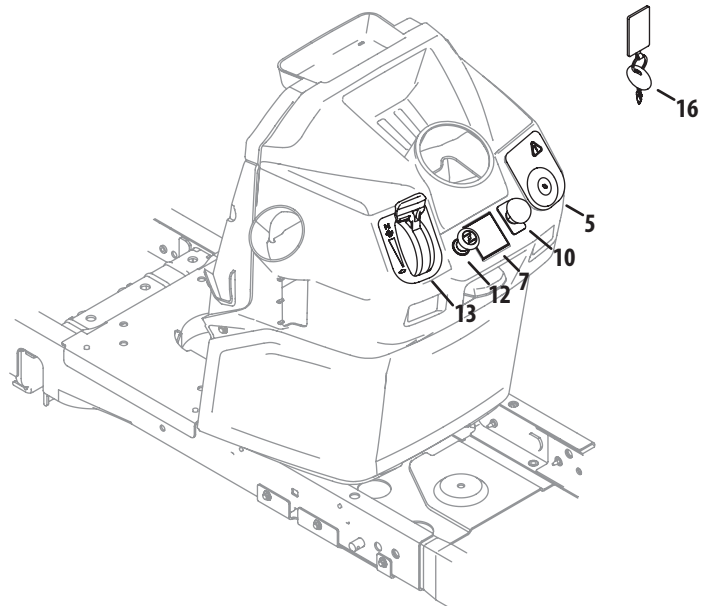
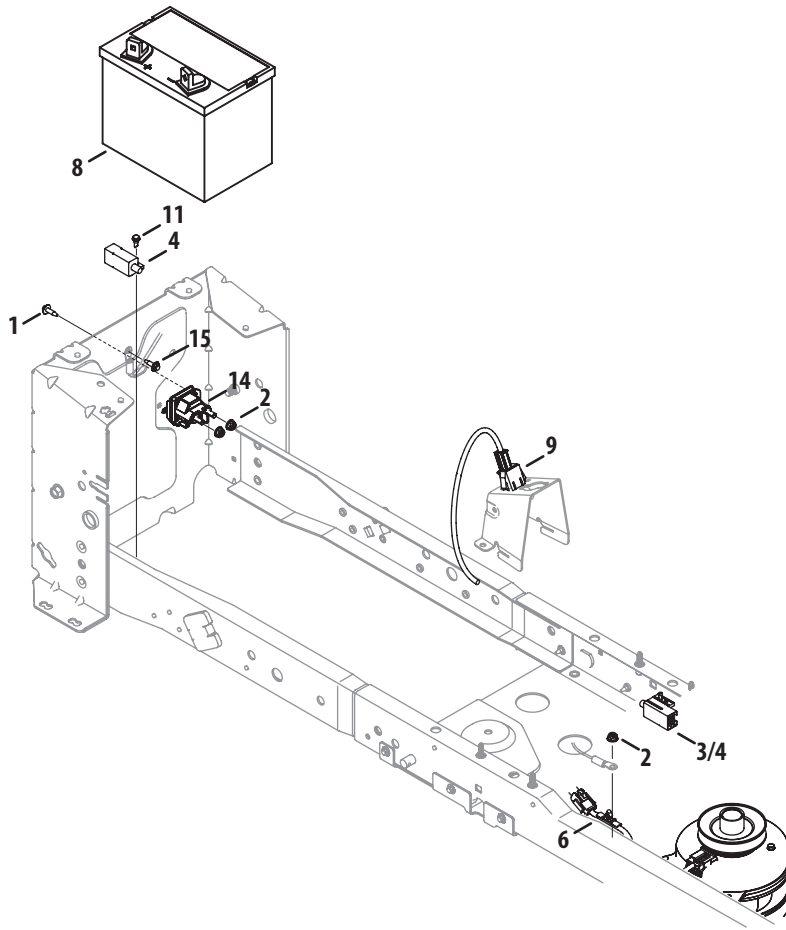
Fuel Tank and Dash



Fuel Tank and Dash

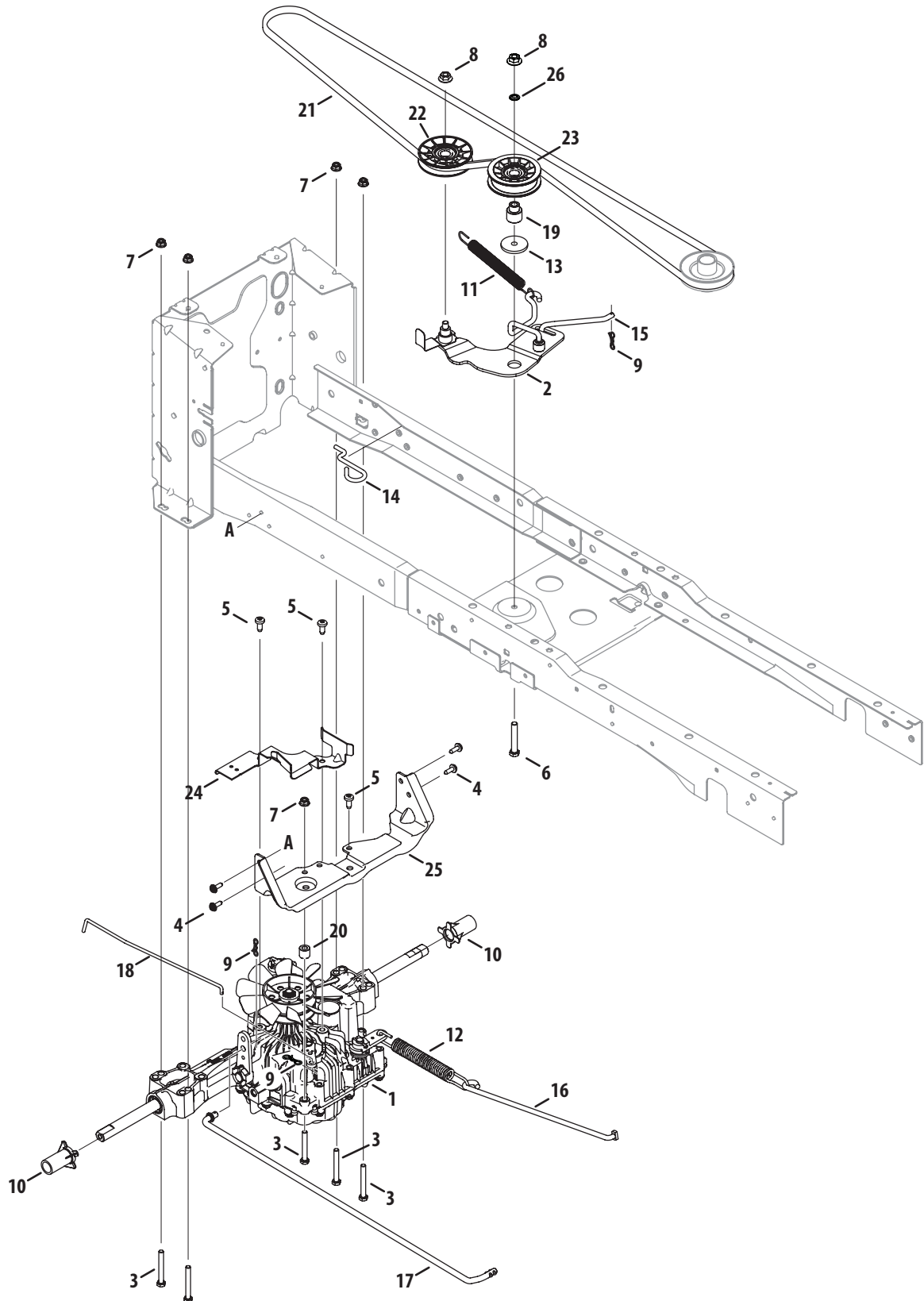
Ref.	Part Number	Description
1.	710-06133	Screw, M6-1 x .625
2.	711-06378	Hinge Pin, .25 Dia x 4.50 LG
3.	751-12089-45	Hose, Vent
	751-12089-28	Hose, Vent, Briggs
	751-12089-18	Hose, Vent (Carb)
4.	926-04012	Push Nut, .25 Dia.
5.	931-09815	Upper Dash
6.	931-10613	Dash Cap
7.	731-10618	Steering Shaft Bearing
8.	731-10636	Dash Lever
9.	732-05199	Torsion Spring, .330 ID
10.	738-05090	Shoulder Screw, .368 x .115, M6-1
11.	747-06192	Control Rod
12.	783-08391	Lower Dash
13.	783-08453	Dash Plate
14.	783-08538	Steering Bearing Mounting Bracket
15.	951-05101	Tank, Fuel, 3 Gal.
16.	951-14767	Fuel Cap
	951-12426A	Cap, Fuel Carb
17.	735-04081	Grommet, Rubber, 23.0 ID
18.	751-12118	Valve, Rollover Grommet
19.	951-12372	Carbon Canister (CARB)
20.	783-08866	Carbon Canister Bracket (CARB)

Electrical



Ref.	Part Number	Description
1.	710-06133	Screw, M6-1 x .625
2.	712-05106	Nut, Jam Lock, 1/4-20, Nylon
3.	725-04232	Switch, 3-Pole (Man. PTO)
4.	725-04363	Switch, Interlock
5.	925-06119A	Key Switch (Man. PTO)
—	725-06102A	Key Switch (Elec. PTO)
6.	725-06173	Jumper Harness (Elec. PTO)
7.	925-06170	Hour Meter
8.	925-1707D	Battery
9.	925-06261	Dash Harness (Man. PTO)
—	925-06129	Dash Harness (Elec. PTO)
10.	925-3233	PTO Switch (Elec. PTO)
—	731-10634	Dash Plug (Man. PTO)
11.	738-04237A	Shoulder Screw, #10-32 x .500
12.	731-09956	Choke Plug
13.	746-05094	Throt/Choke Cable, 38"
—	746-05093	Throt/Choke Cable, 21"
14.	725-06153	Solenoid
15.	710-1652	Self-tapping Screw, 1/4-20 x .625
16.	625-05000	Key, Assembly
—	925-06130††	Harness Assembly, Main (Man. PTO)
—	925-06127††	Harness Assembly, Main (Elec. PTO)
—	925-06167††	Reverse Harness
—	925-06132††	Headlight Harness

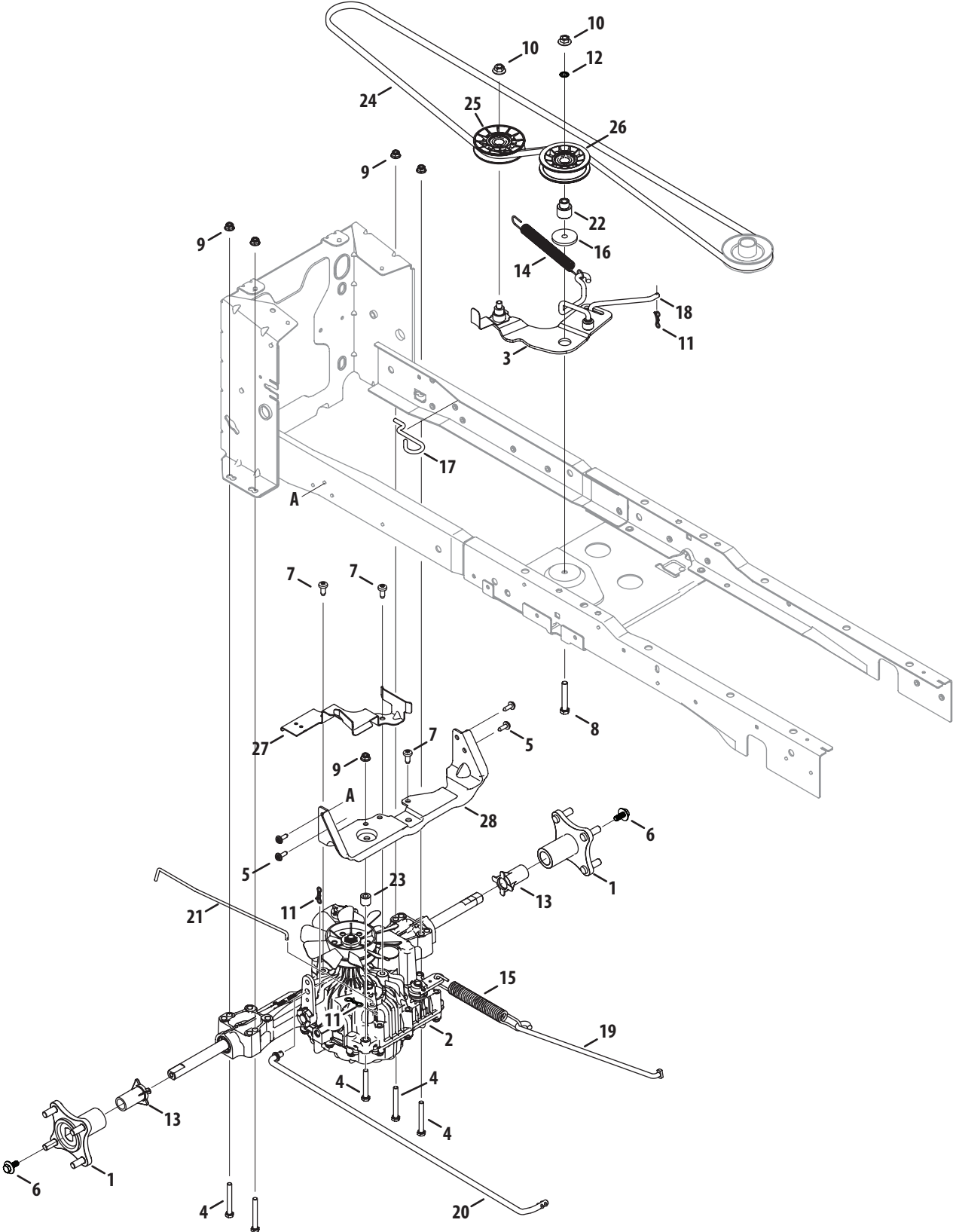
Drive System (42"/46"/50")



Drive System (42"/46"/50")

Ref.	Part Number	Description
1.	918-06972	Transmission, Tuff Torq K46
2.	983-05090A	Idler bracket Assembly
3.	710-0378	Hex Screw, 5/16-18, 2.50, Gr5, Std
4.	710-06133	Screw, M6-1 x .625
5.	710-1611B	Screw, Self-tapping, 5/16-18, 0.750
6.	710-3011	Hex Screw, 3/8-16, 2.25, Gr5
7.	712-04063	Nut, Flange Lock, 5/16-18, Nylon
8.	712-04217	Flange Lock Nut, 3/8-16
9.	714-04040	Pin, Cotter, Bow-Tie 72
10.	731-08237	Sleeve, .765 Id x 2.11
11.	732-05108A	Spring, Extension, .790 Dia x 8.41
12.	732-05146	Spring, Extension, .90 Dia x 8.14
13.	738-04162C	Shoulder Spacer, .884 x .190
14.	747-05608	Deck Spring Rod
15.	747-06193	Idler Link
16.	747-06251A	Rod, Brake, Tuff Torq
17.	747-06281A	Rod, Control, Tuff Torq
18.	747-06447	Rod, Transmission, Bypass
19.	748-05037A	Shoulder Spacer
20.	750-06201	Spacer, .34 x .75 x .63
21.	954-05027A	Belt, V-Type
22.	756-05024	Idler Pulley, 3.56 OD
23.	756-05032	Idler Pulley, 3.00 OD
24.	783-08342	Belt Keeper Bracket
25.	783-08463	Transmission Bracket
26.	726-0201	Speed Nut

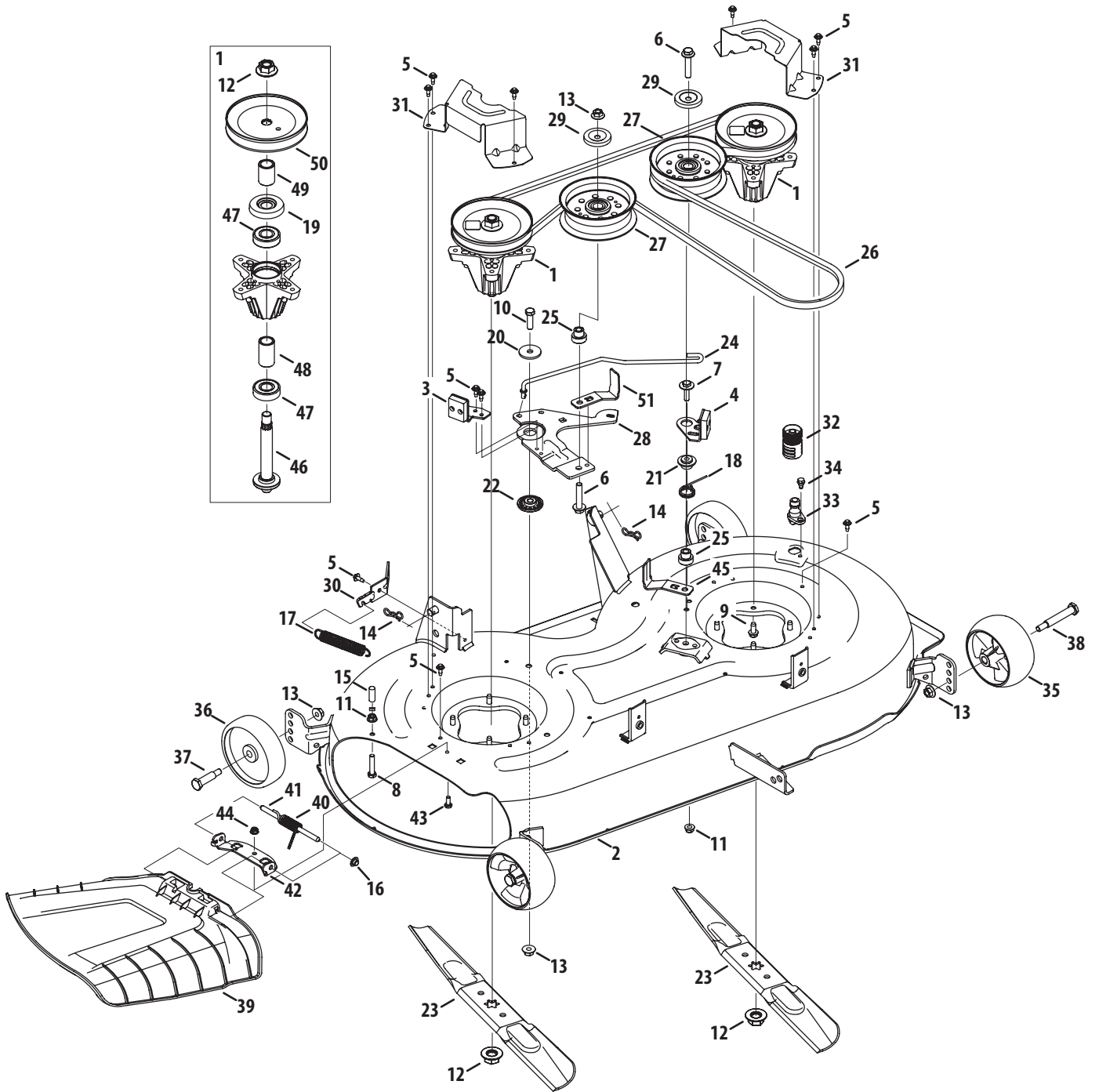
Drive System (54")



Drive System (54")

Ref.	Part Number	Description
1.	918-04228A	Hub Assembly, Wheel
2.	918-07009	Transmission, Tuff Torq K46
3.	983-05090A	Idler bracket Assembly
4.	710-0378	Hex Screw, 5/16-18, 2.50, Gr5, Std
5.	710-06133	Screw, M6-1 x .625
6.	710-06154B	Screw, 5/16-24 x .850
7.	710-1611B	Screw, Self-tapping, 5/16-18, 0.750
8.	710-3011	Hex Screw, 3/8-16, 2.25, Gr5
9.	712-04063	Nut, Flange Lock, 5/16-18, Nylon
10.	712-04217	Flange Lock Nut, 3/8-16
11.	714-04040	Pin, Cotter, Bow-Tie 72
12.	726-0201	Speed Nut
13.	731-09827A	Sleeve, .765 ID x 1.575
14.	732-05108A	Spring, Extension, .790 Dia x 8.41
15.	732-05146	Spring, Extension, .90 Dia x 8.14
16.	738-04162C	Shoulder Spacer, .884 x .190
17.	747-05608	Deck Spring Rod
18.	747-06193	Idler Link
19.	747-06251A	Rod, Brake, Tuff Torq
20.	747-06281A	Rod, Control, Tuff Torq
21.	747-06447	Rod, Transmission, Bypass
22.	748-05037A	Shoulder Spacer
23.	750-06201	Spacer, .34 x .75 x .63
24.	954-05027A	Belt, V-Type
25.	756-05024	Idler Pulley, 3.56 OD
26.	756-05032	Idler Pulley, 3.00 OD
27.	783-08342	Belt Keeper Bracket
28.	783-08463	Transmission Bracket

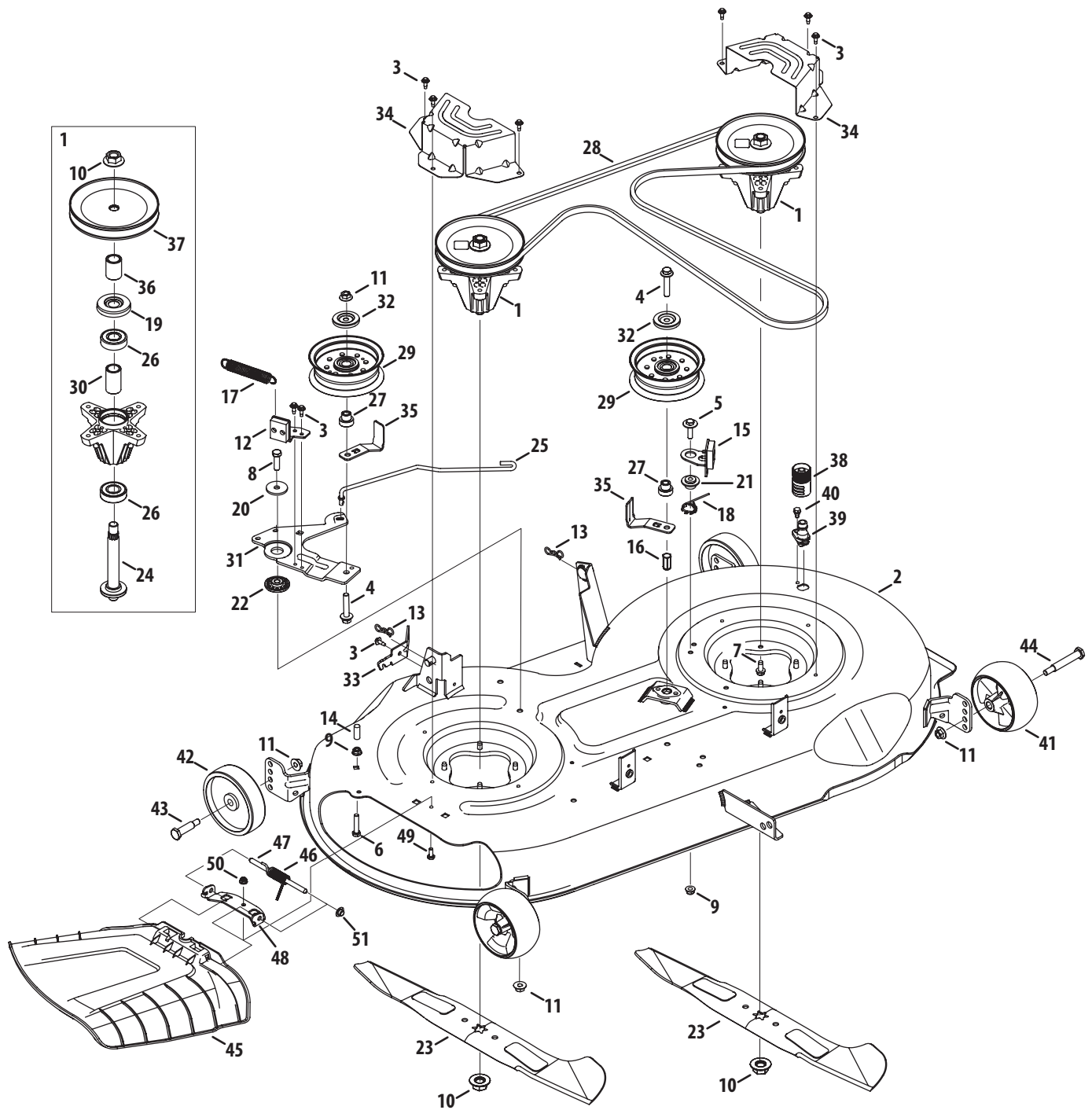
42-inch Deck



42-inch Deck

Ref.	Part Number	Description	Ref.	Part Number	Description
1.	918-06976	Spindle Ass'y, Pulley, 6.3 Dia	26.	954-05021	Belt, V-Type, A Sec x 99.75
2.	983-05076	Deck Assembly, 42"	27.	756-05034	Pulley, Idler, 4.50" Dia.
3.	983-05182	Brake Assembly, Deck, RH	28.	783-08863	Idler Bracket
4.	983-05183	Brake Assembly, Deck, LH	29.	783-08389	Pulley Cap
5.	710-06133	Screw, M6-1 x .625	30.	783-08406	Bracket, Cable, PTO
6.	710-06178	Hex Cap Screw, 3/8-16 x 2.00	31.	783-08510	Belt Cover
7.	710-06213	Hex Cap Screw, 5/16-18 x 1.25	32.	921-04041	Coupler, Water
8.	710-0376	Hex Cap Screw, 5/16-18 x 1.00	33.	731-07487	Deck Wash Nozzle
9.	710-1260A	Screw, Self-tapping, 5/16-18, 0.750,	34.	738-04502	Shoulder Screw, 1/4-20 x 0.50
10.	710-3005	Hex Cap Screw, 3/8-16 x 1.25	35.	734-04155	Wheel, Deck, 5.0 Dia. Ball
11.	712-04063	Nut, Flange Lock, 5/16-18, Nylon	36.	734-0973	Wheel, Deck 5.0 x 1.38
12.	712-0417A	Nut, Flange, 5/8-18	37.	938-0373	Bolt, Shoulder, .496 x 1.525, 3/8-16
13.	712-04217	Flange Lock Nut, 3/8-16	38.	938-3056	Bolt, Shoulder, .496 x 2.50, 3/8-16
14.	714-05005	Bow-Tie Cotter Pin	39.	631-04354A	Chute Deflector Assembly
15.	720-05010	Vinyl Cap, .29 x .50	40.	732-05261	Spring, Torsion, .440 ID x 1.75
16.	726-04009	Push Cap	41.	747-06290B	Hinge Pin
17.	732-04629	Spring, Extension, .750 x .477	42.	783-08504A	Bracket, Chute, 42"
18.	732-05151A	Spring, Torsion, LH Brake	43.	710-0751	Hex Cap Screw, 1/4-20 x .62
19.	783-08435	Bearing Shield	44.	712-04064	Nut, Flange Lock, 1/4-20, Nylon
20.	936-0227	Flat Washer, .39 x 1.5 x .134	45.	783-08690	Belt Keeper
21.	738-05088	Shoulder Spacer, .75 x .145	46.	738-1010A	Shaft, Spindle, 5.75
22.	738-05099	Shoulder Spacer, .854 x .191	47.	941-0919B	Bearing, Ball, .787id x 1.85 Od x .551
23.	942-04308	Blade, Cut, 21.23" 2-In-1, Cub	48.	750-04936	Spacer, .792 x 1.060 x 1.860
24.	747-06452	Rod, Brake, Deck	49.	750-06142	Spacer, .800 x 1.10 x 1.470
25.	748-05029A	Shoulder Spacer, Idler	50.	756-05031	Pulley, Deck, 5.40 Dia.

46-inch Deck

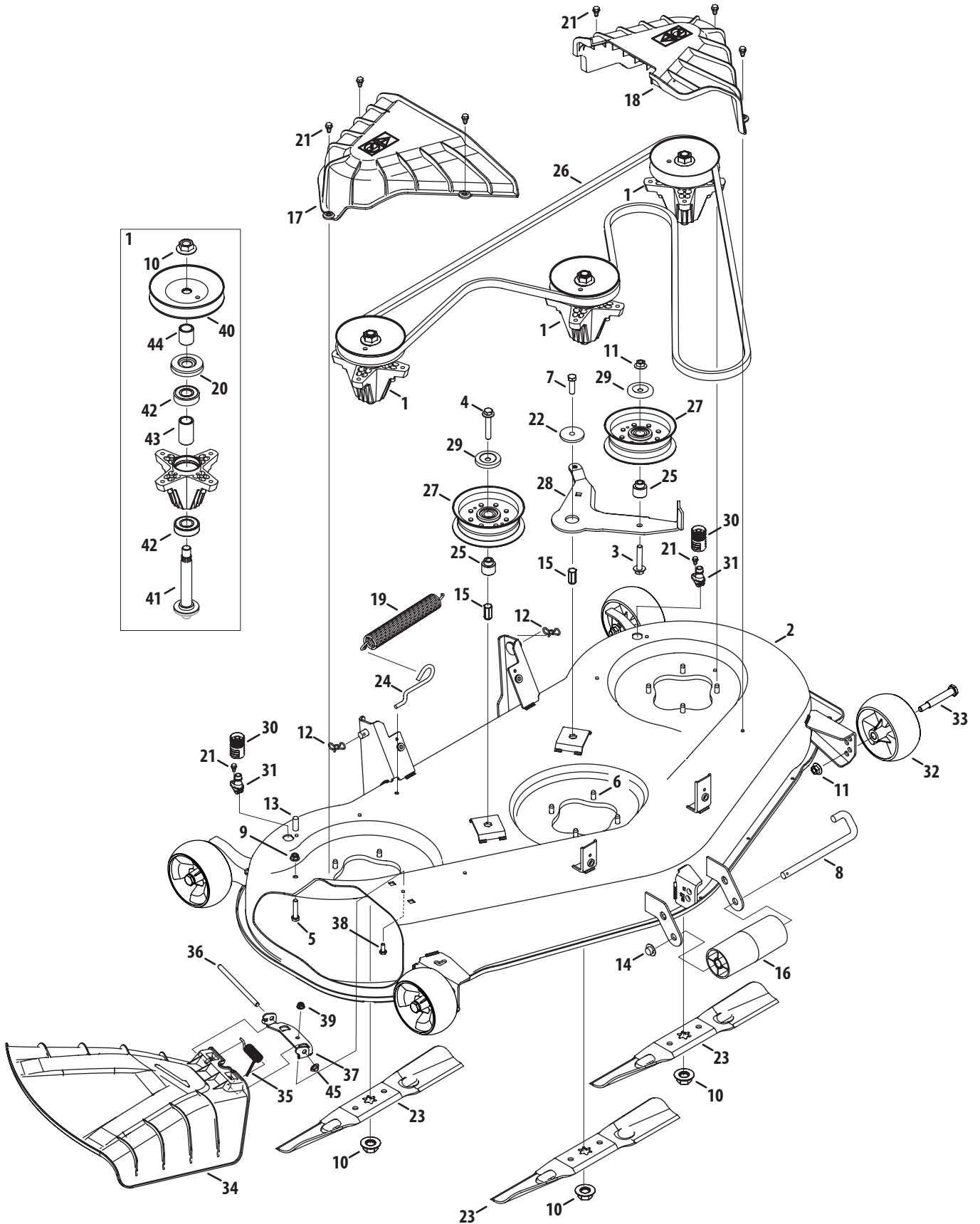


46-inch Deck

Ref.	Part Number	Description
1.	918-06977	Spindle Ass'y, Pulley, 6.93 Dia
2.	983-05078	Deck Assembly, 46"
3.	710-06133	Screw, M6-1 x .625
4.	710-06178	Hex Cap Screw, 3/8-16 x 2.00
5.	710-06213	Hex Cap Screw, 5/16-18 x 1.25
6.	710-0805A	Hex Cap Screw, 5/16-18 x 1.50
7.	710-1260A	Screw, Self-tapping, 5/16-18, 0.750,
8.	710-3005	Hex Cap Screw, 3/8-16 x 1.25
9.	712-04063	Nut, Flange Lock, 5/16-18, Nylon
10.	712-0417A	Nut, Flange, 5/8-18
11.	712-04217	Flange Lock Nut, 3/8-16
12.	983-05182	Brake Assembly, Deck, RH
13.	714-05005	Bow-Tie Cotter Pin
14.	720-05075	Vinyl Cap, .29 x 1.00
15.	983-05183	Brake Assembly, Deck, LH
16.	728-05016	Rivet Nut, 3/8-16
17.	732-04629	Spring, Extension, .750 x .477
18.	732-05151	Spring, Torsion, LH Brake
19.	783-08435	Bearing Shield
20.	936-0227	Flat Washer, .39 x 1.5 x .134
21.	738-05088	Shoulder Spacer, .75 x .145
22.	738-05099	Shoulder Spacer, .854 x .191
23.	942-04244A	Blade, Cut, 23.25" 2-In-1, Cub
24.	738-1010A	Shaft, Spindle, 5.75
25.	747-06452	Rod, Brake, Deck
26.	941-0919B	Bearing, Ball, .787id x 1.85 Od x .551

Ref.	Part Number	Description
27.	748-05029A	Shoulder Spacer, Idler
28.	954-05022A	Belt, V-Type, A Sec x 108.3
29.	756-05034	Pulley, Idler, 4.50" Dia.
30.	750-04936	Spacer, .792 x 1.060 x 1.860
31.	783-08284	Idler Bracket
32.	783-08389	Pulley Cap
33.	783-08406	Bracket, Cable, PTO
34.	783-08547	Belt Cover
35.	783-08690	Belt Keeper
36.	750-06142	Spacer, .800 x 1.10 x 1.470
37.	756-05030	Pulley, Deck, 6.74 Dia.
38.	921-04041	Coupler, Water
39.	731-07487	Deck Wash Nozzle
40.	738-04502	Shoulder Screw, 1/4-20 x 0.50
41.	734-04155	Wheel, Deck, 5.0 Dia. Ball
42.	734-0973	Wheel, Deck 5.0 x 1.38
43.	938-0373	Bolt, Shoulder, .496 x 1.525, 3/8-16
44.	938-3056	Bolt, Shoulder, .496 x 2.50, 3/8-16
45.	631-04354A	Chute Deflector Assembly
46.	732-05261	Spring, Torsion, .440 ID x 1.75
47.	747-06290B	Hinge Pin
48.	783-08504A	Bracket, Chute, 42"
49.	710-0751	Hex Cap Screw, 1/4-20 x .62
50.	712-04064	Nut, Flange Lock, 1/4-20, Nylon
51.	726-04009	Push Cap

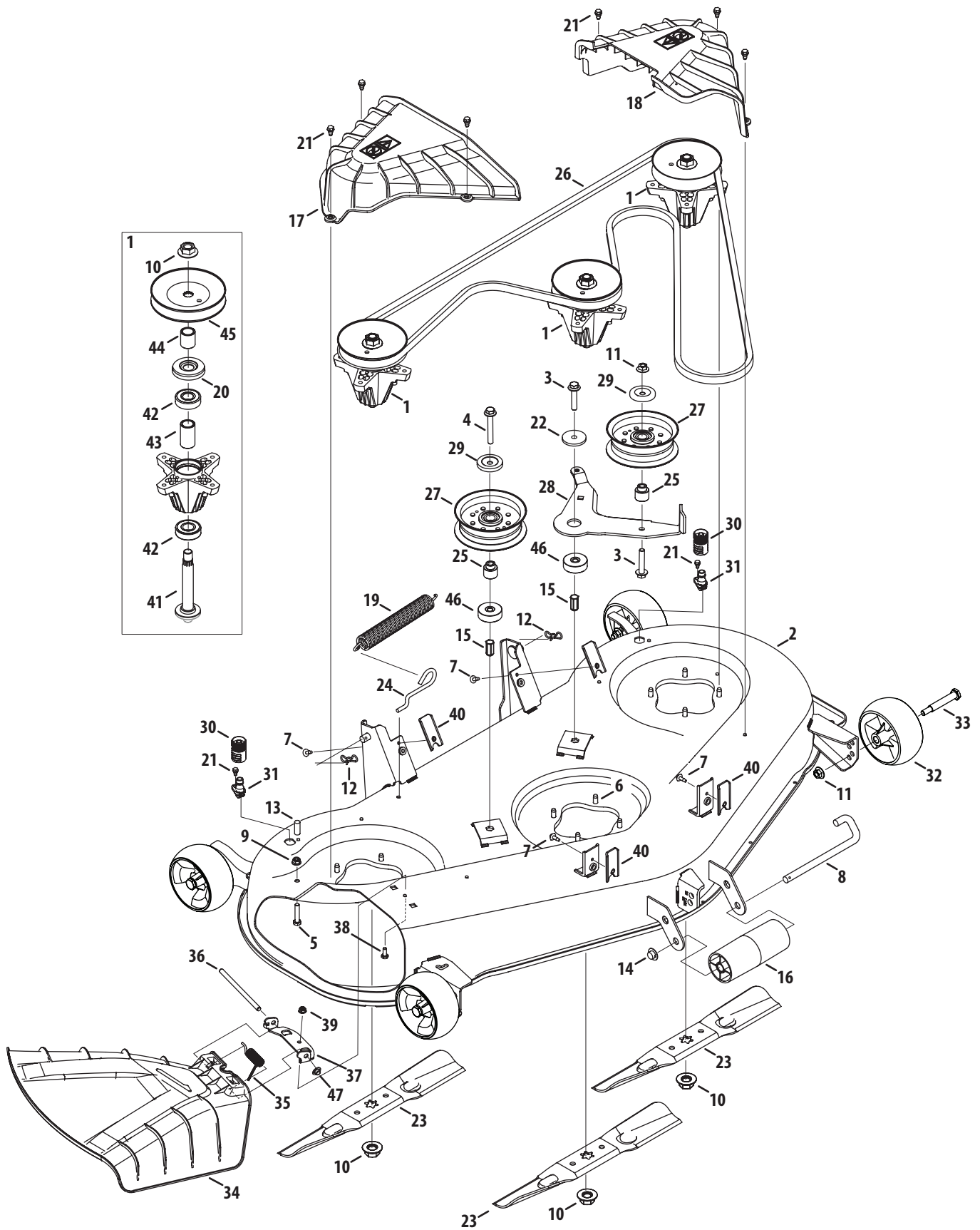
50-inch Deck



50-inch Deck

Ref.	Part Number	Description	Ref.	Part Number	Description
1.	918-06981	Spindle Ass'y, Pulley, 5.37 Dia	24.	747-05608	Deck Spring Rod
2.	983-05103	Deck Assembly, 50"	25.	748-05037A	Shoulder Spacer
3.	710-06178	Hex Cap Screw, 3/8-16 x 2.00	26.	954-04077A	Belt, V-Type, B Sec x 134
4.	710-06215	Hex Cap Screw, 3/8-16 x 2.25	27.	756-05034	Pulley, Idler, 4.50" Dia.
5.	710-0805A	Hex Cap Screw, 5/16-18 x 1.50	28.	783-08309A	Pivot Idler bracket
6.	710-1260A	Screw, Self-tapping, 5/16-18, 0.750,	29.	783-08389	Pulley Cap
7.	710-3005	Hex Cap Screw, 3/8-16 x 1.25	30.	921-04041	Coupler, Water
8.	711-06377	Roller Pin, 1/2 x 7.31 Lg	31.	731-07487	Deck Wash Nozzle
9.	712-04063	Nut, Flange Lock, 5/16-18, Nylon	32.	734-04155	Wheel, Deck, 5.0 Dia. Ball
10.	712-0417A	Nut, Flange, 5/8-18	33.	938-3056	Bolt, Shoulder, .496 x 2.50, 3/8-16
11.	712-04217	Flange Lock Nut, 3/8-16	34.	631-05116A	Chute Deflector Assembly
12.	714-05005	Bow-Tie Cotter Pin	35.	732-05261	Spring, Torsion, .440 ID x 1.75
13.	720-05075	Vinyl Cap, .29 x 1.00	36.	747-06290B	Hinge Pin
14.	726-0299	Push Cap, 1/2"	37.	783-08504A	Bracket, Chute, 42"
15.	728-05016	Rivet Nut, 3/8-16	38.	710-0751	Hex Cap Screw, 1/4-20 x .62
16.	731-05679B	Front Roller	39.	712-04064	Nut, Flange Lock, 1/4-20, Nylon
17.	731-09968	Belt Cover, RH	40.	756-05036	Pulley, Deck, 5.00 Dia.
18.	731-09969A	Belt Cover, LH	41.	938-04241	Shaft, Spindle, 5.50
19.	732-04927	Spring, Extension, 1.25 OD x 8.5	42.	941-0919B	Bearing, Ball, .787id x 1.85 Od x .551
20.	783-08435	Bearing Shield	43.	750-04936	Spacer, .792 x 1.060 x 1.860
21.	738-04502	Shoulder Screw, 1/4-20 x 0.50	44.	750-06153	Spacer, .792 x 1.060 x 1.191
22.	738-05082	Shoulder Spacer, .970 x .190	45.	726-04009	Push Cap
23.	942-05052A	Blade, Cut, 17.27" 2-In-1, Cub			

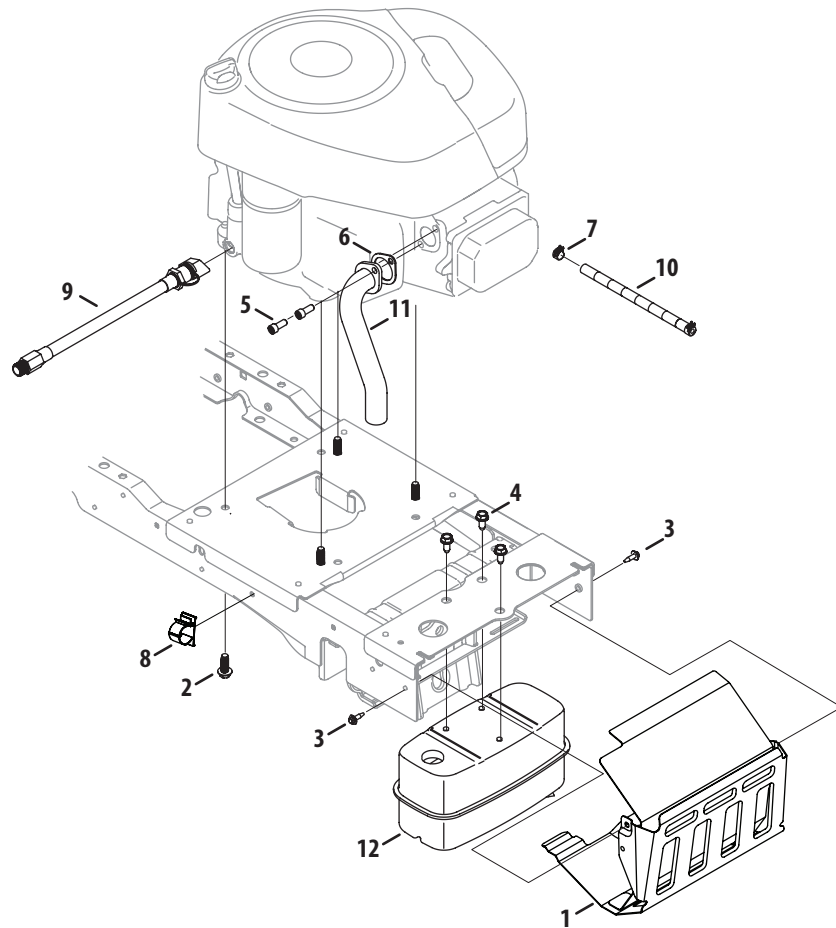
54-inch Deck



Ref.	Part Number	Description
1.	918-06978	Spindle Ass'y, Pulley, 5.37 Dia
2.	983-05104	Deck Assembly, 54"
3.	710-06178	Hex Cap Screw, 3/8-16 x 2.00
4.	710-06214	Hex Cap Screw, 3/8-16 x 2.75
5.	710-0805A	Hex Cap Screw, 5/16-18 x 1.50
6.	710-1260A	Screw, Self-tapping, 5/16-18, 0.750,
7.	710-06133	Screw, M6-1 x .625
8.	711-06377	Roller Pin, 1/2 x 7.31 Lg
9.	712-04063	Nut, Flange Lock, 5/16-18, Nylon
10.	712-0417A	Nut, Flange, 5/8-18
11.	712-04217	Flange Lock Nut, 3/8-16
12.	714-05005	Bow-Tie Cotter Pin
13.	720-05075	Vinyl Cap, .29 x 1.00
14.	726-0299	Push Cap, 1/2"
15.	728-05016	Rivet Nut, 3/8-16
16.	731-05679B	Front Roller
17.	731-09968	Belt Cover, RH
18.	731-09969A	Belt Cover, LH
19.	732-04927	Spring, Extension, 1.25 OD x 8.5
20.	783-08435	Bearing Shield
21.	738-04502	Shoulder Screw, 1/4-20 x 0.50
22.	738-05082	Shoulder Spacer, .970 x .190
23.	942-05056A	Blade, Cut, 18.67" 2-In-1, Cub
24.	747-05608	Deck Spring Rod

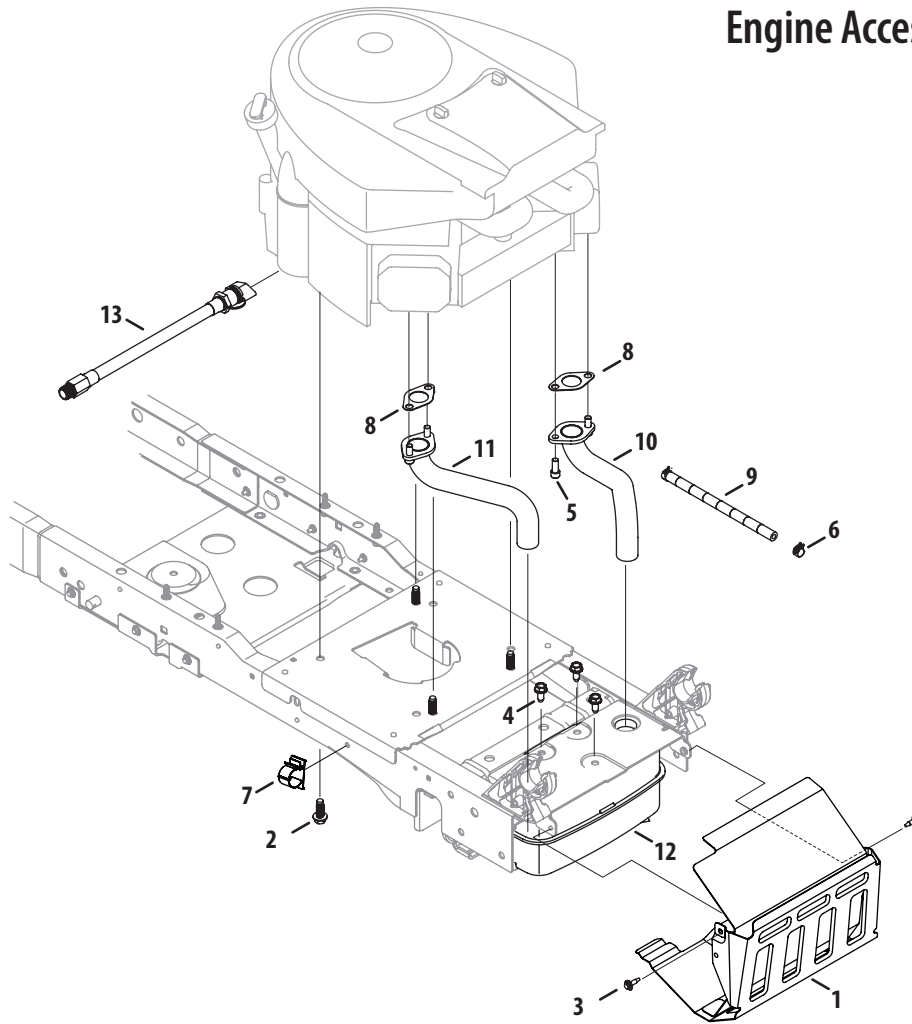
Ref.	Part Number	Description
25.	748-05037A	Shoulder Spacer
26.	954-05025A	Belt, V-Type, B Sec x 139
27.	756-05034	Pulley, Idler, 4.50" Dia.
28.	783-08309A	Pivot Idler bracket
29.	783-08389	Pulley Cap
30.	921-04041	Coupler, Water
31.	731-07487	Deck Wash Nozzle
32.	734-04155	Wheel, Deck, 5.0 Dia. Ball
33.	938-3056	Bolt, Shoulder, .496 x 2.50, 3/8-16
34.	631-05116	Chute Deflector Assembly
35.	732-05261	Spring, Torsion, .440 ID x 1.75
36.	747-06290B	Hinge Pin
37.	783-08504A	Bracket, Chute, 42"
38.	710-0751	Hex Cap Screw, 1/4-20 x .62
39.	712-04064	Nut, Flange Lock, 1/4-20, Nylon
40.	783-08404A	Bracket, Lift, Stop
41.	738-1186A	Shaft, Spindle, 6.11
42.	941-0919B	Bearing, Ball, .787id x 1.85 Od x .551
43.	750-04936	Spacer, .792 x 1.060 x 1.860
44.	750-06152	Spacer, .792 x 1.060 x 1.782
45.	756-05038	Pulley, Deck, 4.50 Dia.
46.	750-06184	Spacer, .385 ID x 1.75 OD x .585
47.	726-04009	Push Cap

Engine Accessories (Single)



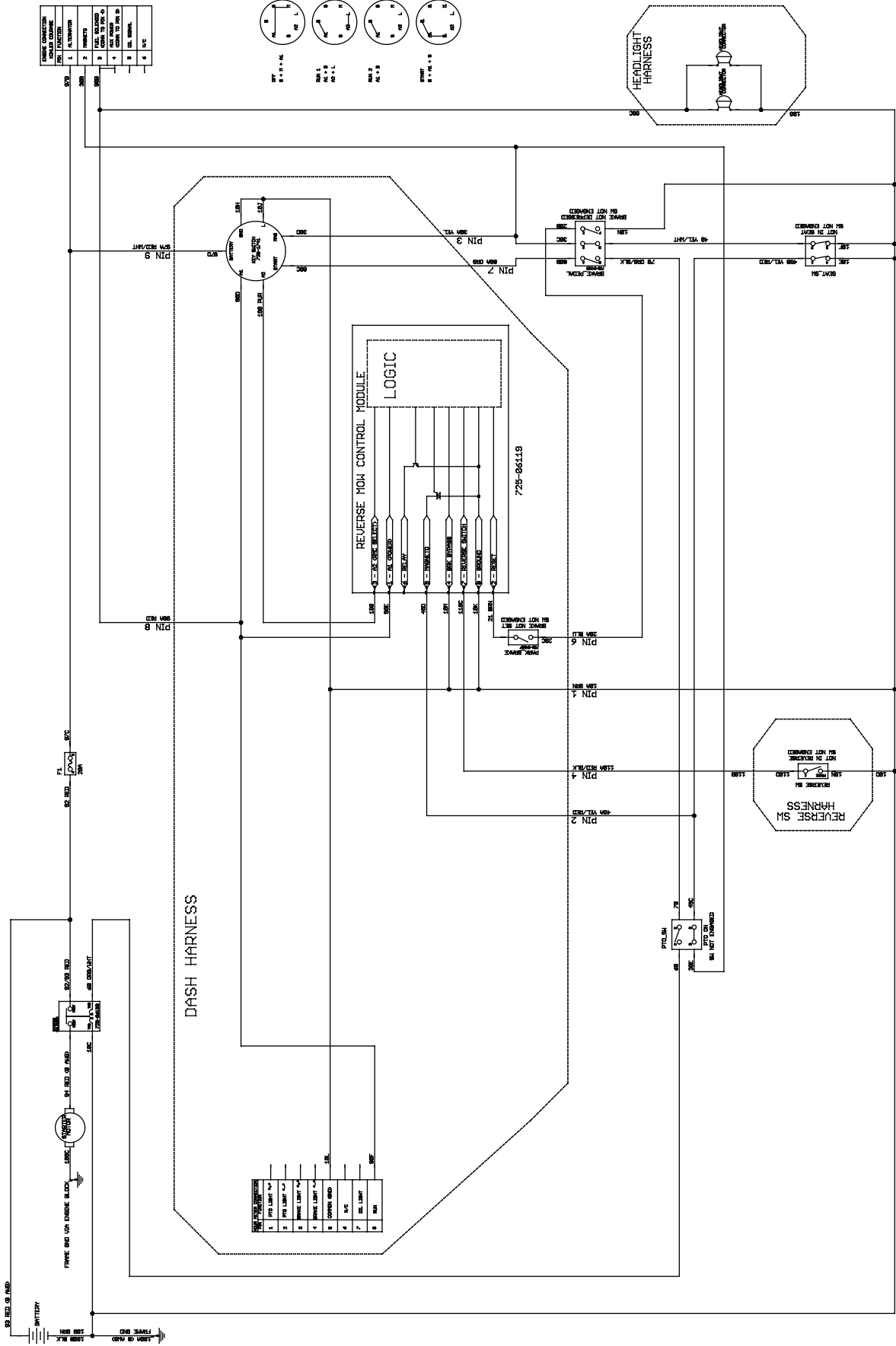
Ref.	Part Number	Description
1.	983-05142	Shield Ass'y, Muffler
2.	710-04683C	Screw, Self-tapping, 3/8-16, 1.0
3.	710-06133	Screw, M6-1 x .625
4.	710-06256	Screw, Self-tapping, M8-1.25, .750
5.	710-1314A	Screw, Sockt Head, 5/16-18, .750
6.	BS-692236	Exhaust Gasket
7.	726-0205	Clamp, Hose, .490 Dia.
8.	731-10746	Push Mount Wire Clip, .750
9.	751-14836	Drain, Oil
10.	751-10349-16	Hose, Fuel, Low Permeation, 1/4
11.	751-14477	Exhaust Pipe, LH
12.	751-14504A	Muffler

Engine Accessories (Twin)

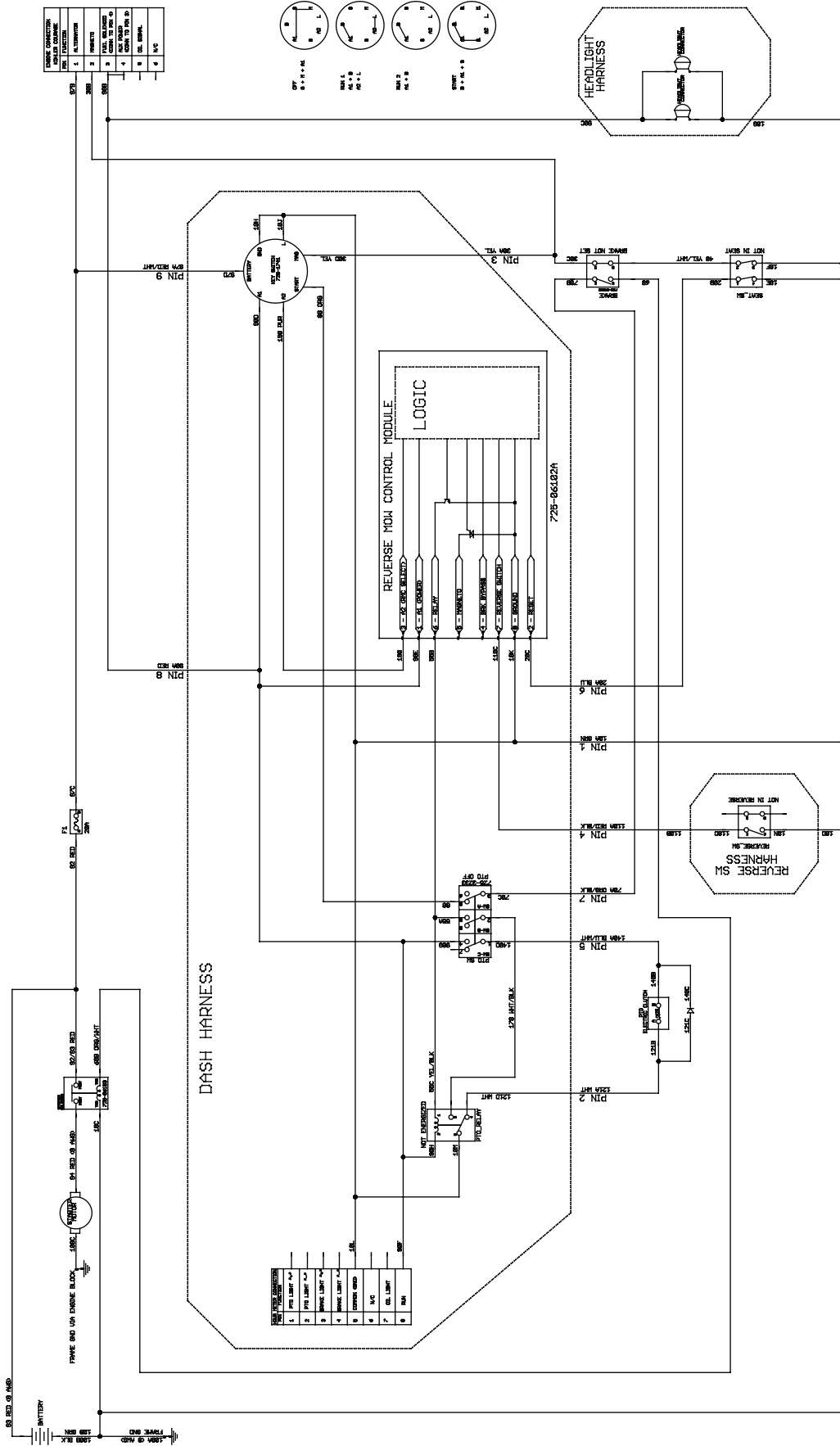


Ref.	Part Number	Description
1.	983-05142	Shield Ass'y, Muffler
2.	710-04683C	Screw, Self-tapping, 3/8-16, 1.0
3.	710-06133	Screw, M6-1 x .625
4.	710-06256	Screw, Self-tapping, M8-1.25, .750
5.	710-1314A	Screw, Sockt Head, 5/16-18, .750
6.	726-0205	Clamp, Hose, .490 Dia.
7.	731-10746	Push Mount Wire Clip, .750
8.	721-0460	Exhaust Gasket
9.	751-10349-16	Hose, Fuel, Low Permeation, 1/4
10.	751-14476	Exhaust Pipe, LH
11.	751-14475	Exhaust Pipe, RH
12.	751-14503A	Muffler
13.	751-14836	Drain, Oil

Electrical Schematic (Man. PTO)



Electrical Schematic (Elec. PT0)



Notes

To order replacement parts or locate your nearest service dealer call Customer Support at (800) 828-5500.
or visit www.troybilt.com to find the nearest authorized dealer in your area.

TROY-BILT LLC, P.O. BOX 361131 CLEVELAND, OHIO 44136-0019
